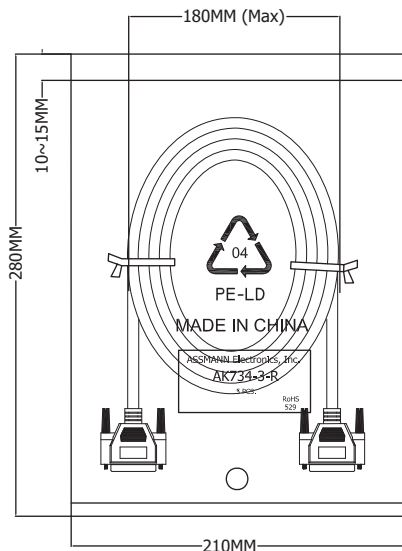
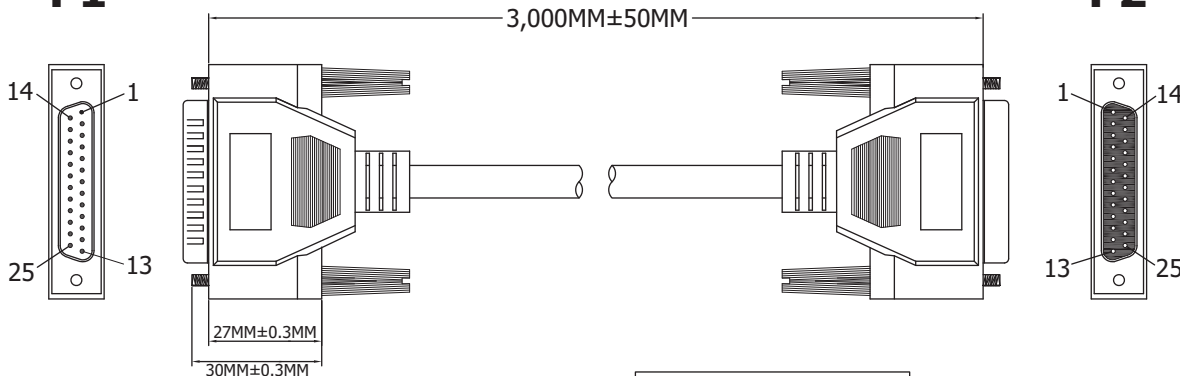


**P1**

**P2**



P1 Pin Assignment		P2	
1	1	1	18
18	2	2	19
2	3	3	3
19	4	4	20
3	5	5	20
20	6	6	21
4	7	7	21
20	8	8	22
5	9	9	22
6	10	10	22
21	11	11	23
7	12	12	23
21	13	13	24
8	14	14	24
22	15	15	25
9	16	16	25
22	17	17	23
10	18	18	25
11	19	19	25
12	20	20	23
13	21	21	17
14	22	22	25
15	23	23	25
16	24	24	25
17	25	25	25
25	SHELL	DRAIN+BRAID	SHELL

**Material:**

- Cable: UL20276 28AWG(7/0.12TC)\*18P+D(26AWGTC)+AL/MY+BRAID(85%)
  - OD Ø7.5MM
  - Outer Jacket Color: Beige(IV-29)
- P1 Connector: DB 25P Male Solder Type
  - Pin G/F
  - Insulation Color: Blue
  - Shell Plate Nickel
- P2 Connector: DB 25P Female Solder Type
  - Pin G/F
  - Insulation Color: Blue
  - Shell Plate Nickel
- Inner Jacket: Clear LD-PE
- Outer Jacket: Beige, 40P PVC
- Screw: #4-40UNC
  - Length: 30MM
  - Nickel Plated

**Electrical:**

- 100% Test, (Open, Short, Miss Wire)
- Contact Resistance: 5Ω Max.
- Insulation Resistance: 10MΩ Min.
- Hi-Pot: 300V DC/10ms

Unit: MM±0.25MM



Scale	1:1							Name	Item No.
TOLERANCE								Chappell	AK734-3-R
X.X	±0.40					Drawn	11.11.11		
X.XX	±0.25					Approved			
X.XXX	±0.15								
Angle	±3°								Drawing No.
									rev00
									Replace
									Sheet

