

1

2

3

4

5

6

7

A

B

C

D

E

F

G

H

A

B

C

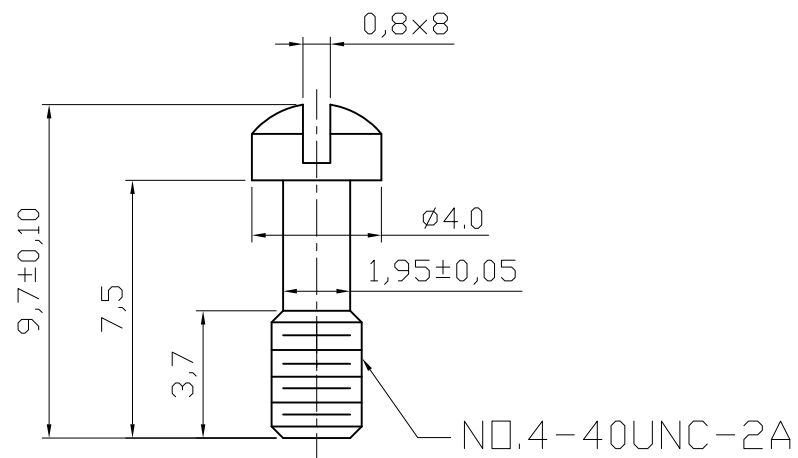
D

E

F

G

H



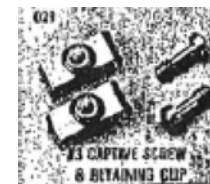
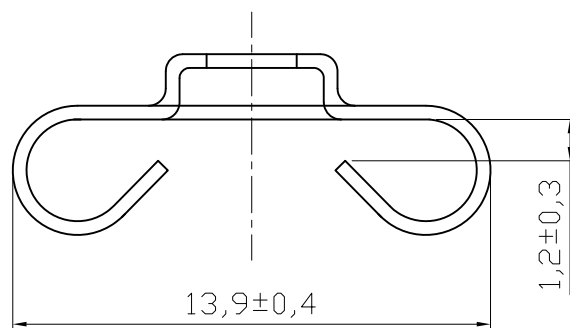
Notes

Captive Screw: STEEL

Zinc-plated with yellow chrome

Retaining Clip: STEEL

Zinc-plated with yellow chrome



RoHS compliant

Scale	1:1						Date	Name	Customer-No.	
TOLERANCE						Drawn	25.06.2009	Dean		
X.X	±0.38					Approved	25.06.2009	Hellwig	ASSMANN WSW-No. <b>ASV-O/09/37</b>	
X.XX	±0.25									
X.XXX	±X									
DIM	TOL								Drawing-No.	
X.°	±X°								<b>ASS 0527 CO</b>	rev01
X.X°	±X°	①	Drawn	25.06.2009	Dean	<b>ASSMANN</b> WSW components		Replace	ASS 0527 CO 24.01.2003	Sheet
Angle	TOL	Id.	Modification	Date	Name					

1

2

3

4

5

6

7