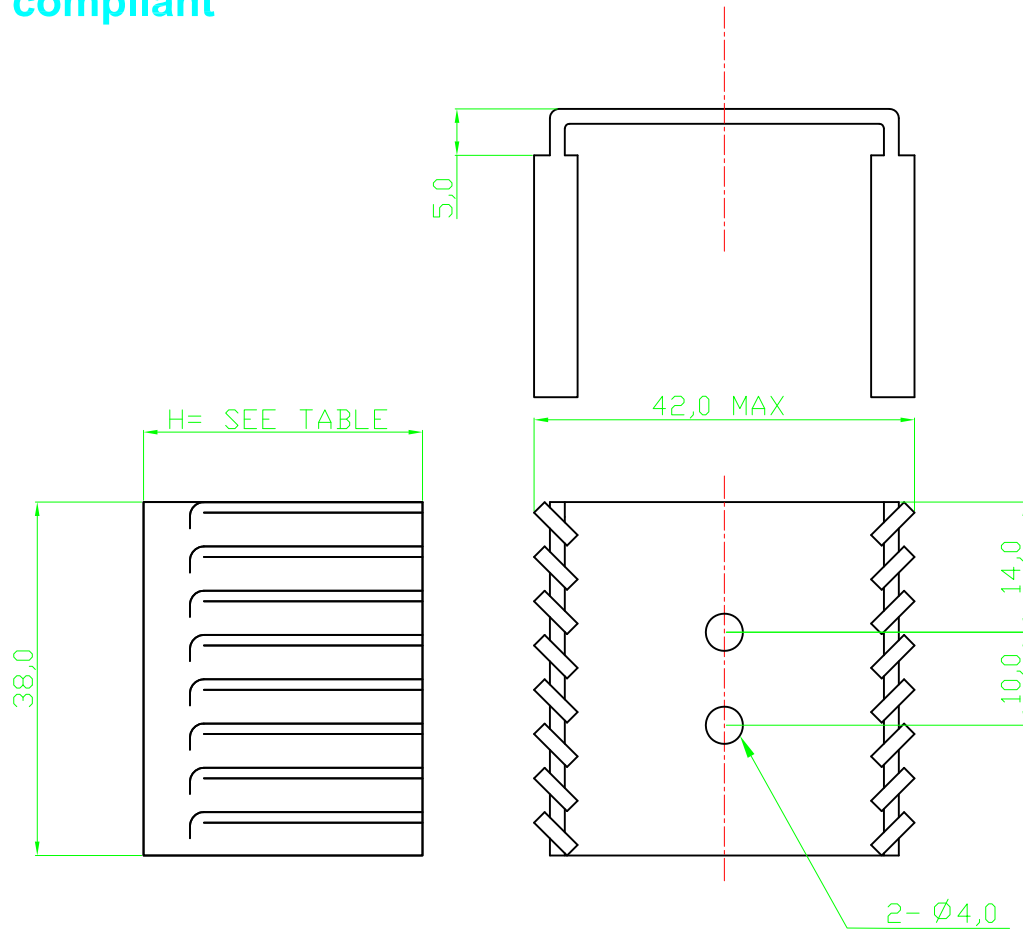



RoHS compliant



Material : AL 1100 T=1.6mm
Finished : Black Anodize

mm No.	H	INNER Q'TY	Q'TY PER CARTON	Thermal resistance(K/W)
V2002W	20	75 PER TRAY	1350	8
V2002X	25	60 PER TRAY	1080	7
V2002Y	30	50 PER TRAY	900	6.5

Scale	FREE					Date	Name	Customer-No.
TOLERANCE						Drawn	11.08.2009	Dean
.X	±0.2					Approved	10.03.2010	Andy
.XX	±0.1							
UNIT	±0.3							
DIM	TOL	②	Modify drawing layout	10.03.2010	Alex			
X.°	±X°	①	Drawn	11.08.2009	Dean			
X.X°	±X°							
Angle	TOL	Id.	Modification	Date	Name			

ASSMANN WSW-No. **V2002x**

Drawing-No. **ASS 0844 HS** rev02

Replace Sheet

1

2

3

4

5

6

7

A

B

C

D

E

F

G

H

A

B

C

D

E

F

G

H

1

2

3

4

5

6

7