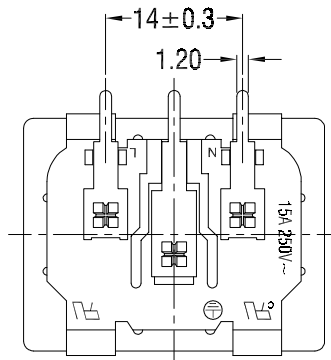
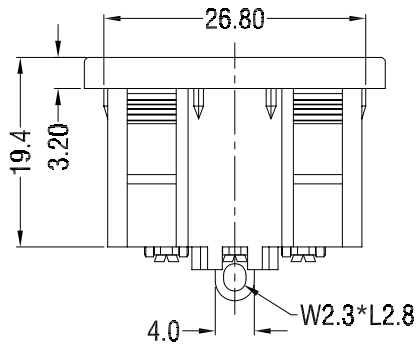


SECTION: A-A



NOTES:

MATERIAL

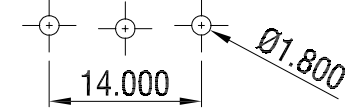
1. Insulator Material: PA66, (UL94V-0), Black  
Copper Alloy, Tin plated

ELECTRICAL

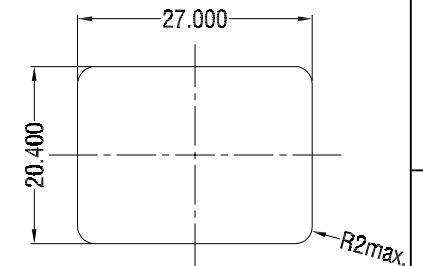
1. Current Rating: 15A 250V~(UL,CUL)  
10A 250V~(VDE, SEMKO, CCC, KC)  
2. Electric Strength: 2000V AC/minute  
3. Insulation Resistance: 100MΩ min at 500V DC

APPROVAL:

UL, CUL, VDE, SEMKO, CCC, KC



PCB LAYOUT



PANLE CUT-OUT

G

H

RoHS compliant

Unit:mm

Scale	Free	
TOLERANCE		⑤
.X	±0.30	④
.XX	±0.20	③
.XXX	±0.10	②
DIM	TOL	①
X.°	±5°	Id.
Angle	TOL	

Id.	Modification	Date	Name	Date	Name	Date	Name
⑤	Add the new P/N on page 2	16.10.2023	Peter	14.12.2007	N.Schulz		
④	Add the page2~page5	02.03.2021	Winnie	16.10.2023	Peter		
③	Change of plant	18.12.2012	Winnie				
②	Update	08.07.2009	Dean				
①	Drawn	14.12.2007	N.Schulz				



Description: Power supply with snap-in	
ASSMANN WSW-No. <b>A-KGS-S/A</b>	
Drawing-No. <b>ASS 0889B CO</b>	rev05
Customer-No.	SHEET 1 / 5

1

2

3

4

5

6

7

1

2

3

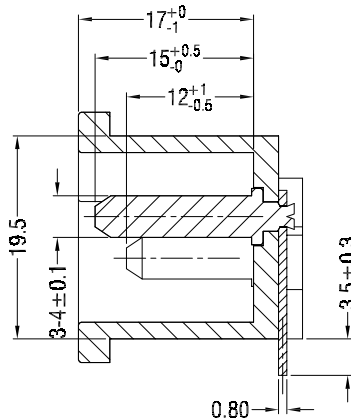
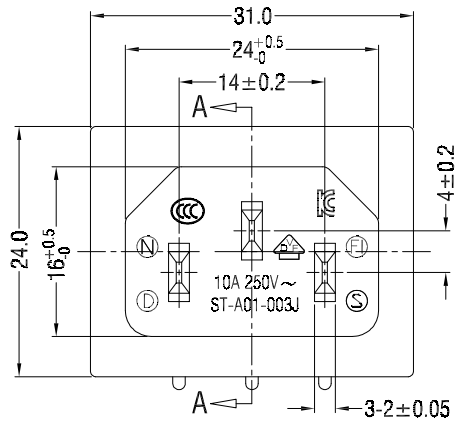
4

5

6

7

A



SECTION: A-A

NOTES:

MATERIAL

1. Insulator Material: PBT, (UL94V-0), Black  
 2. Terminal: Copper Alloy, Tin plated

ELECTRICAL

1. Current Rating: 15A 250V~(UL,CUL)  
 10A 250V~(VDE, SEMKO, CCC, KC)  
 2. Electric Strength: 2000V AC/minute  
 3. Insulation Resistance: 100MΩ min at 500V DC

APPROVAL:

UL, CUL, VDE, SEMKO, DEMKO, FIMKO, KC

⑤ Order Code: A-KGS-S/A-x

- A: Panel Thickness 0.80mm
- B: Panel Thickness 1.00mm
- C: Panel Thickness 1.50mm
- 1: Panel Thickness 2.00mm

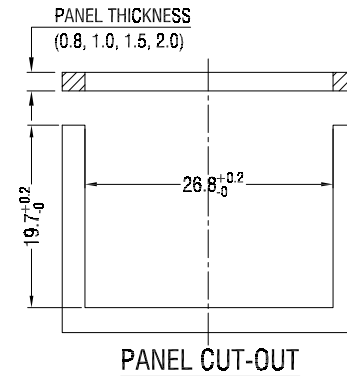
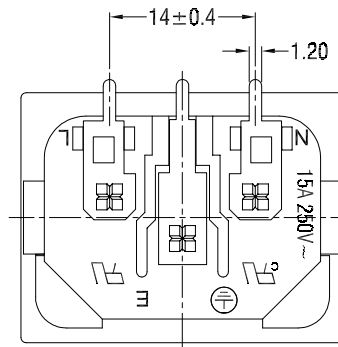
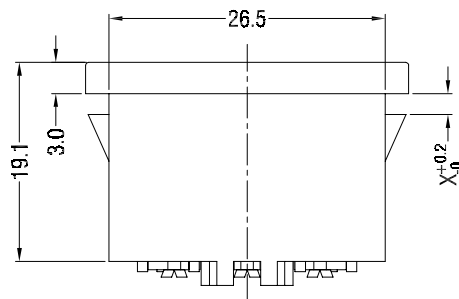
B

C

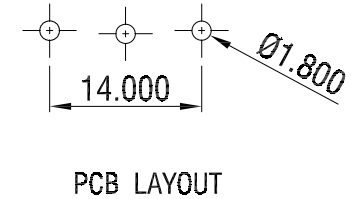
D

E

F



PANEL CUT-OUT



PCB LAYOUT

G

H

RoHS compliant

Unit:mm

Scale	Free
TOLERANCE	⑤
.X	±0.30
.XX	±0.20
.XXX	±0.10
DIM	TOL
X.°	±5°
Angle	TOL

⑤	Add the new P/N on page 2	16.10.2023	Peter	Drawn	14.12.2007	N.Schulz
④	Add the page2~page5	02.03.2021	Winnie	Approved	16.10.2023	Peter
③	Change of plant	18.12.2012	Winnie			
②	Update	08.07.2009	Dean			
①	Drawn	14.12.2007	N.Schulz			
Id.	Modification	Date	Name			



Description: Power supply with snap-in	
ASSMANN WSW-No. ⑤ A-KGS-S/A-x	
Drawing-No. ASS 0889B CO	rev05
Customer-No.	SHEET 2 / 5

1

2

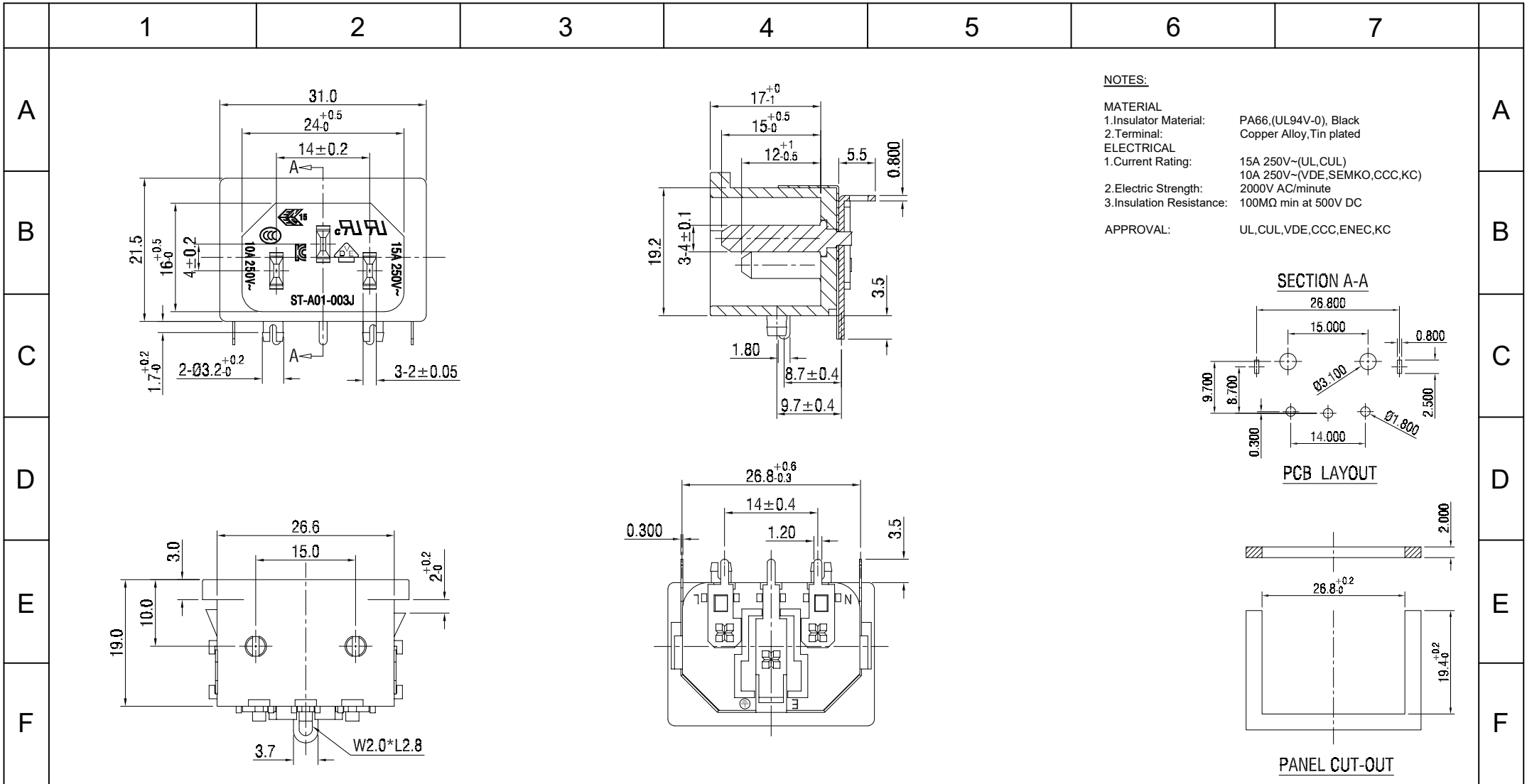
3

4

5

6

7



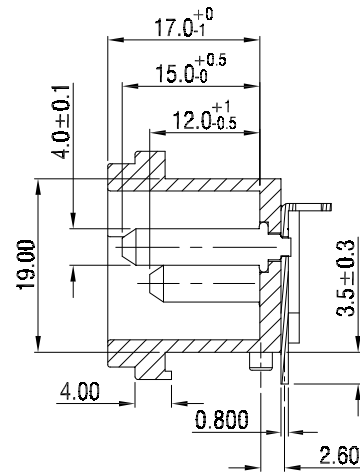
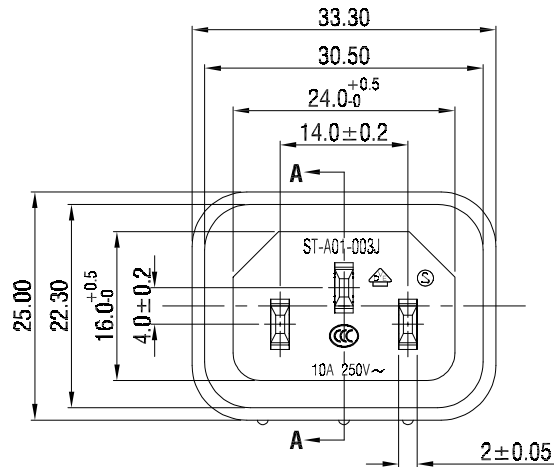
**NOTES:**

**MATERIAL**  
 1. Insulator Material: PA66, (UL94V-0), Black Copper Alloy, Tin plated

**ELECTRICAL**  
 1. Current Rating: 15A 250V~(UL, CUL)  
 10A 250V~(VDE, SEMKO, CCC, KC)  
 2. Electric Strength: 2000V AC/minute  
 3. Insulation Resistance: 100MΩ min at 500V DC

**APPROVAL:** UL, CUL, VDE, CCC, ENEC, KC

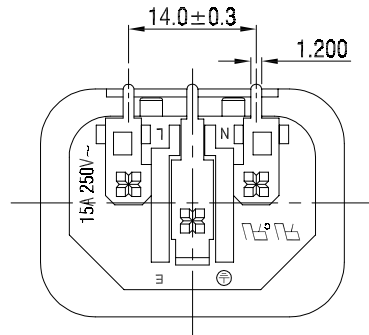
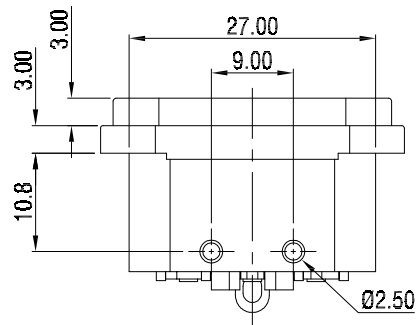
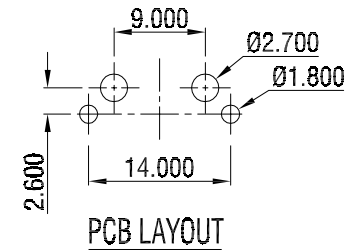
G	RoHS compliant Unit:mm	Scale	Free					Date	Name	Description: Power supply with snap-in		
		TOLERANCE		⑤	Add the new P/N on page 2	16.10.2023	Peter	Drawn	14.12.2007	N.Schulz	ASSMANN WSW-No. <b>A-KGS-S/A-2</b>	
H		.X	±0.30	④	Add the page2~page5	02.03.2021	Winnie	Approved	16.10.2023	Peter		
		.XX	±0.20	③	Change of plant	18.12.2012	Winnie				Customer-No.	SHEET 3 / 5
		.XXX	±0.10	②	Update	08.07.2009	Dean					
		DIM	TOL	①	Drawn	14.12.2007	N.Schulz					
		X.°	±5°	Id.	Modification	Date	Name					
Angle	TOL											



SECTION A-A

NOTES:

- MATERIAL  
 1. Insulator Material: PBT, (UL94V-0), Black  
 2. Terminal: Copper Alloy, Tin plated
- ELECTRICAL  
 1. Current Rating: 15A 250V~(UL, CUL)  
 10A 250V~(VDE, SEMKO, CCC, KC)  
 2. Electric Strength: 2000V AC/minute  
 3. Insulation Resistance: 100MΩ min at 500V DC
- APPROVAL: UL, CUL, VDE, SEMKO



A

B

C

D

E

F

A

B

C

D

E

F

G

H

G

H

**RoHS compliant**  
Unit:mm

Scale	Free						Date	Name	Description: Power supply without snap-in	
TOLERANCE		⑤	Add the new P/N on page 2	16.10.2023	Peter	Drawn	14.12.2007	N.Schulz	ASSMANN WSW-No. <b>A-KGS-S/A-3</b>	
.X	±0.30	④	Add the page2~page5	02.03.2021	Winnie	Approved	16.10.2023	Peter		
.XX	±0.20	③	Change of plant	18.12.2012	Winnie					
.XXX	±0.10	②	Update	08.07.2009	Dean				Drawing-No. <b>ASS 0889B CO</b>	rev05
DIM	TOL	①	Drawn	14.12.2007	N.Schulz				Customer-No.	SHEET 4 / 5
X.°	±5°	Id.	Modification	Date	Name					
Angle	TOL									

1

2

3

4

5

6

7

1

2

3

4

5

6

7

A

A

B

B

C

C

D

D

E

E

F

F

NOTES:

MATERIAL

1. Insulator Material: PA66, (UL94V-0), Black  
Copper Alloy, Tin plated

ELECTRICAL

1. Current Rating: 15A 250V~(UL,CUL)  
10A 250V~(VDE, SEMKO, CCC, KC)  
2. Electric Strength: 2000V AC/minute  
3. Insulation Resistance: 100MΩ min at 500V DC

APPROVAL:

UL, CUL, VDE, SEMKO, DEMKO, FIMKO, CCC

PCB LAYOUT

G

G

H

H

RoHS compliant

Unit:mm

Scale Free

TOLERANCE

.X ±0.30

.XX ±0.20

.XXX ±0.10

DIM TOL

X.° ±5°

Angle TOL

⑤ Add the new P/N on page 2

16.10.2023

Peter

Drawn

Date

Name

Description: Power supply  
without snap-in

④ Add the page2~page5

02.03.2021

Winnie

Approved

16.10.2023

Peter

ASSMANN WSW-No.

A-KGS-S/A-4

③ Change of plant

18.12.2012

Winnie

② Update

08.07.2009

Dean

① Drawn

14.12.2007

N.Schulz

Drawing-No.

ASS 0889B CO

rev05

Customer-No.

SHEET  
5 / 5

1

2

3

4

5

6

7

SV5028