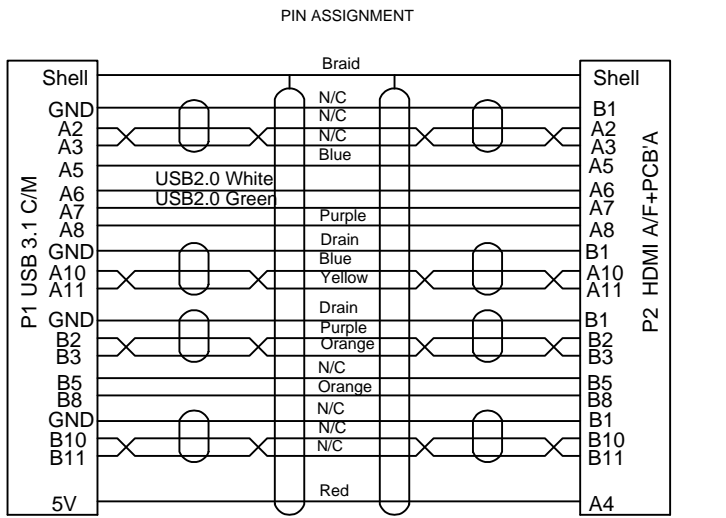


NOTE:
 1.Solution: up to 3840x2160@30Hz
 2.Deliver audio and video



⑥	Over mold	PVC 45P BK	NA	G
⑤	Shell	HDMI female shell, BK ABS	1	PCS
④	Shell	Type-C male shell, BK ABS	1	PCS
③	CONN	HDMI female, pin gold flash, shell Nickel plated, with PCB	1	PCS
②	CONN	Type-C male, pin gold flash, shell Nickel plated	1	PCS
①	CABLE ②	UL20276 USB3.1 (32#*1P+D+AL+MY)*4C+32#*4C+32#*1P+24#*1C+AB, OD:4.7mm, BK PVC jacket No marking	1	PCS
NO.	NAME	DESCRIPTION	Q'TY	UNIT

RoHS compliant
 Unit: mm

Scale	Free	Date	Name	Customer-No.
TOLERANCE		Drawn	09.12.2022	Daniel
		③ Update SR on Type C plug ending	02.08.2023	Luca
		② Update cable specification	12.06.2023	Luca
DIM	TOL	① Update PN	24.04.2023	Daniel
		① Drawn	09.12.2022	Daniel
Angle	TOL	Id.	Modification	Date

ASSMANN WSW components		ASS 10357 CA		rev03
Replace			Sheet	1 / 1

ASSMANN WSW-No.
A-USB32C-04F-150

Drawing-No.
ASS 10357 CA rev03