

1

2

3

4

5

6

7

A

B

C

D

E

F

A

B

C

D

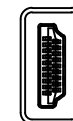
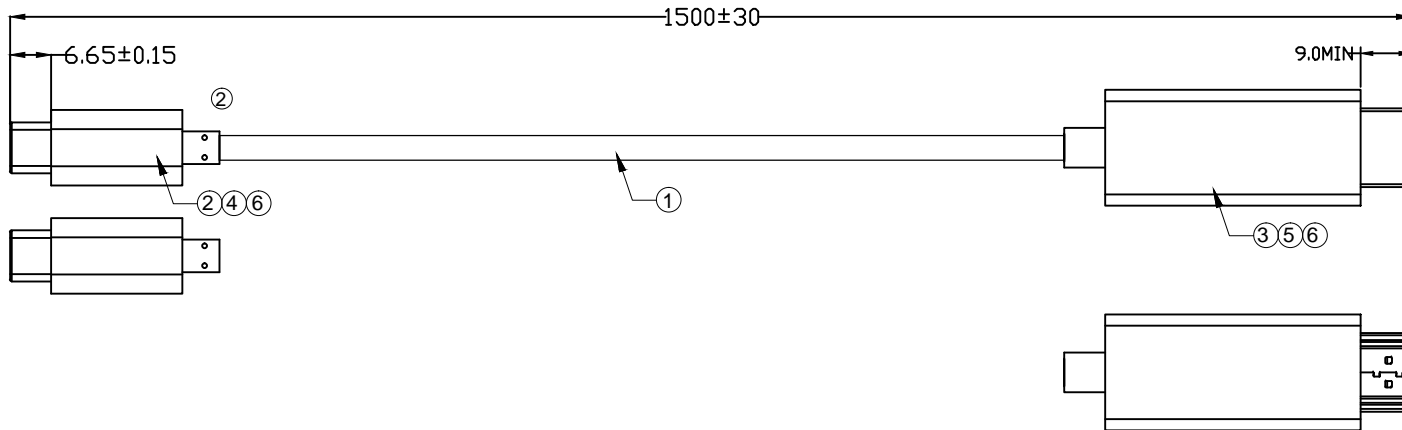
E

F

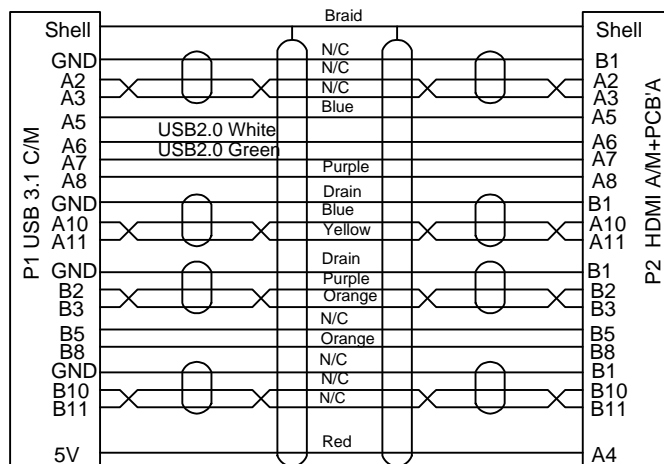
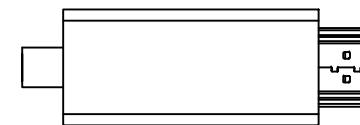
G

H

P1



P2



NOTE:
 1.Solution: up to 3840x2160@30Hz
 2.Deliver audio and video

NO.	NAME	DESCRIPTION	Q'TY	UNIT
⑥	Over mold	PVC 45P BK	NA	G
⑤	Shell	HDMI male shell, BK ABS	1	PCS
④	Shell	Type-C male shell, BK ABS	1	PCS
③	CONN	HDMI male, pin gold flash, shell Nickel plated, with PCB	1	PCS
②	CONN	Type-C male, pin gold flash, shell Nickel plated	1	PCS
①	CABLE	UL20276 USB3.1 (32#*1P+D+AL+MY)*4C+32#*4C+32#*1P+24#*1C+AB, OD:4.7m, BK PVC jacket No marking	1	PCS

RoHS compliant
Unit: mm

Scale	Free	Date	Name	Customer-No.
TOLERANCE		Drawn	24.04.2023	Daniel
		Approved	02.08.2023	Luca
		ASSMANN WSW-No. A-USB32C-04M-150		
DIM	TOL	Drawing-No. ASS 10517 CA rev02		
Angle	TOL	Replace Sheet 1/1		



1

2

3

4

5

6

7