

1

2

3

4

5

6

7

A

A

B

B

C

C

D

D

E

E

F

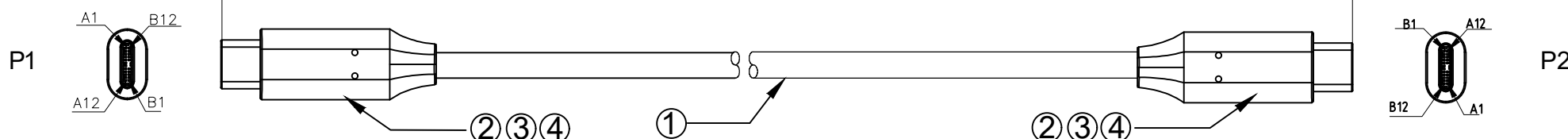
F

G

G

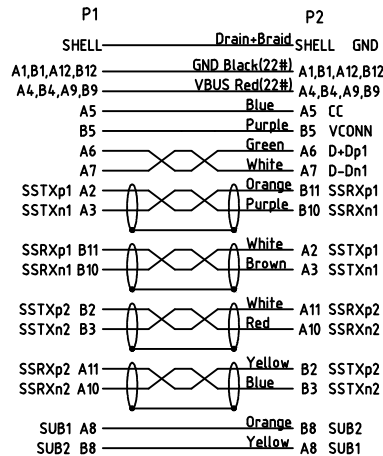
H

H



NOTE:
 1. Transmission speed: 20Gbps
 2. Conductive resistance: 5Ω Max
 3. Insulation resistance: 10MΩ Min/300VDC, 10ms
 4. 100% open, short, miswire test.
 5. Charging: 20V/5A, 100W

PIN ASSIGNMENT



| WSW P/N | Length |
|----------------------|---------|
| A-USB32C2-32C2-100-B | 1000±30 |
| A-USB32C2-32C2-150-B | 1500±40 |
| A-USB32C2-32C2-180-B | 1800±40 |

| | | | | |
|------------|--|-------------|------|------|
| Over mold | PVC 60P BK, UL94V-0 | NA | G | |
| Inner mold | LD-PE | NA | G | |
| CONN | Type-C male, contact 3u" Au plated | 2 | PCS | |
| CABLE | (7/0.08TC×FMPEØ0.58×1P+AL+MY)×4P+7/0.08TC×HDPEØ0.45×1P+7/0.08TC×HDPEØ0.45×4C+42/0.10TC×HDPEØ1.1×2C+AL+B96/0.08TC PVC Black OD5.2 | 1 | PCS | |
| NO. | NAME | DESCRIPTION | Q'TY | UNIT |

RoHS compliant
Unit: mm

Scale Free

TOLERANCE

DIM TOL

Angle TOL

| | | | |
|-----|--------------|------------|--------|
| ① | Drawn | 24.04.2023 | Daniel |
| Id. | Modification | Date | Name |



| | | |
|-----------------|------------|----------------------|
| Date | Name | Customer-No. |
| 24.04.2023 | Daniel | |
| Approved | 24.04.2023 | Daniel |
| ASSMANN WSW-No. | | A-USB32C2-32C2-xxx-B |
| Drawing-No. | | ASS 10518 CA rev00 |
| Replace | | Sheet 1/1 |

1

2

3

4

5

6

7