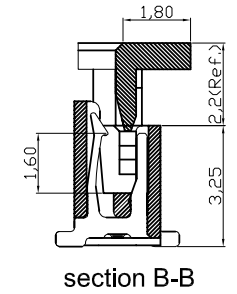
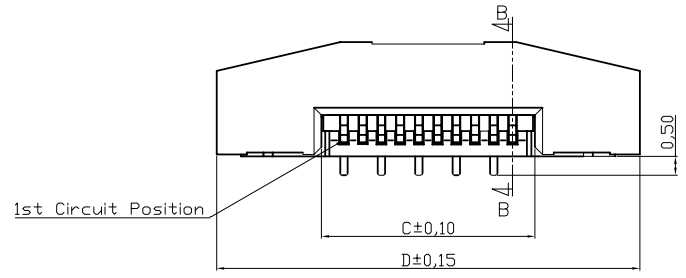


A
B
C
D
E
F
G
H

A
B
C
D
E
F
G
H

NOTES:

- ⑦ 1.Body: NYLON 6T Halogen-free UL94V-0
Color Nature
- ⑦④ 2.Slider: NYLON 6T Halogen-free UL94V-0
Color Black
- 3.Contact : Phosphor Bronze ,with Matte Tin plated
- 4.Fixed tab :Brass with Matte Tin plated
- 5.Plating: 3.05um(120µ")min. Matte Tin plated over 0.76um(30µ") Nickel
- 6.Contact style: Vertical type
- ⑧ 7. Reflow solder temperature: +250~260°C max. 20sec.



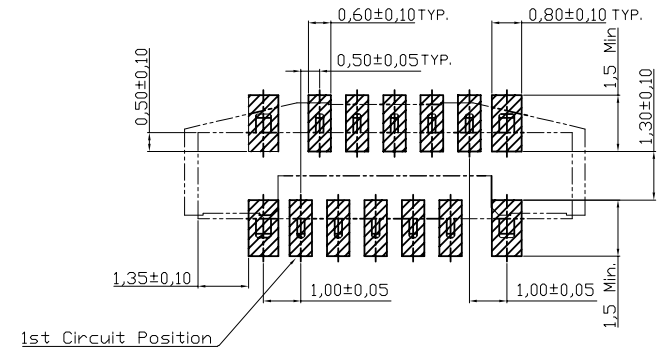
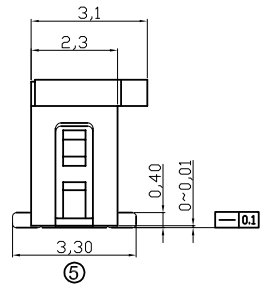
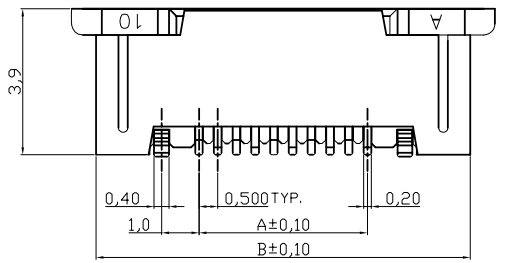
AFFC20-xx-050-SVS-xx ③

Plating: -(Blank); Matte Tin (see point 5)
G= Gold flash 1.2u" over 50u" Nickel

Packing:
R= Tape & Reel
T= Tube

A= 0.50x No. of Spaces
B= A + 5.5
C= A + 1.2
D= A + 6.8


*Available in 4 through 50 circuits



Sold Pad Pattern

⑦ **Halogen-Free**
RoHS compliant
Unit: mm

⑥  File No.: E198287

Scale	Free	⑧	Add reflow solder temperature	05.06.2017	Amy		Date	Name	Customer-No.
TOLERANCE		⑦	Change insulator material to Halogen-free	30.03.2017	Amy	Drawn	29.03.2007	Hellwig	ASSMANN WSW-No. AFFC20-xx-050-SVS-xx
.X	±0.15	⑥	Add UL No.	13.06.2016	Amy	Approved	05.06.2017	Amy	
.XX	±0.10	⑤	Update drawing	12.08.2014	Joanna				
.XXX	±0.05	④	Update	25.07.2012	Lucas				Drawing-No.
DIM	TOL	③	Change WSW P/N	26.05.2011	Rale			ASS 2192 CO rev08	
X.°	±1°	Id.	Modification	Date	Name			Replace	SHEET
X.X°	±X°								1 / 2
Angle	TOL								

1 2 3 4 5 6 7

A

NOTES:
 ⑤ 1.Reel Material:Corrugated paper
 2.Carrier Material : Clear, Conductive Polystyrene Alloy
 3.Cover Tape Material: Polyester
 4.Cover Tape Peel Strength: 0.1N-1.3N
 5.Carrier camber is within 1mm in 100mm
 6.All dimensions meet EIA-481-2&EIA-481-3 requirements
 7.Quantity:1000 PCS/Reel

B

C

D

E

F

G

H

Circuits	Dimension					Packing (Reel/Caton)
	E	F	W1	W2	W3	
4	16.0	-	16.5	22.5	16.5	11
5-17	24.0	-	24.5	30.5	24.5	9
18-31	32.0	28.40	32.5	38.5	32.5	7
32-50	44.0	40.40	44.5	50.5	44.5	5

⑤ WIDTH:32.44 mm Carrier

⑤ WIDTH:16.24 mm Carrier

RoHS compliant
Unit: mm

Scale		⑧	Add reflow solder temperature	05.06.2017	Amy		Date	Name	Customer-No.	
TOLERANCE		⑦	Change insulator material to Halogen-free	30.03.2017	Amy	Drawn	29.03.2007	Hellwig	ASSMANN WSW-No. AFFC20-xx-050-SVS-xx	
.X	±x	⑥	Add UL No.	13.06.2016	Amy	Approved	05.06.2017	Amy		
.XX	±x	⑤	Update drawing	12.08.2014	Joanna					
.XXX	±x	④	Update	25.07.2012	Lucas				Drawing-No.	
DIM	TOL	③	Change WSW P/N	26.05.2011	Rale	ASSMANN WSW components			ASS 2192 CO	rev08
X.°	±1°	Id.	Modification	Date	Name				Replace	SHEET
X.X°	±X°								2 / 2	
Angle	TOL									

1 2 3 4 5 6 7

G

H

SV225
SV2010