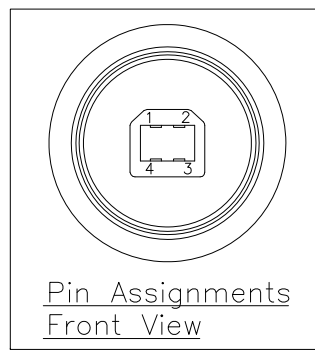
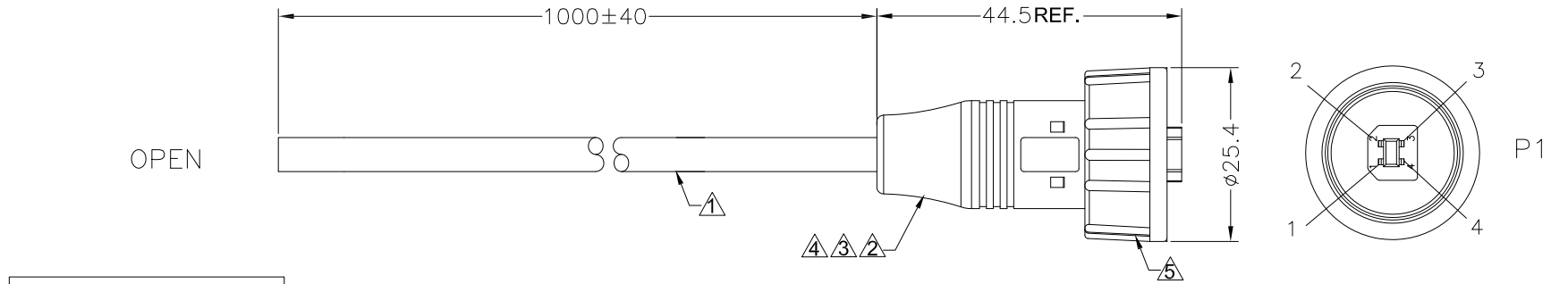


1 2 3 4 5 6 7

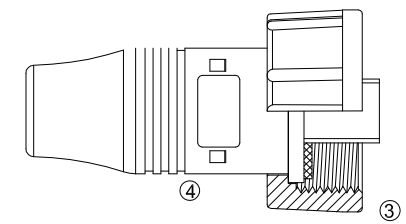
A
B
C
D
E
F
G
H

A
B
C
D
E
F
G
H



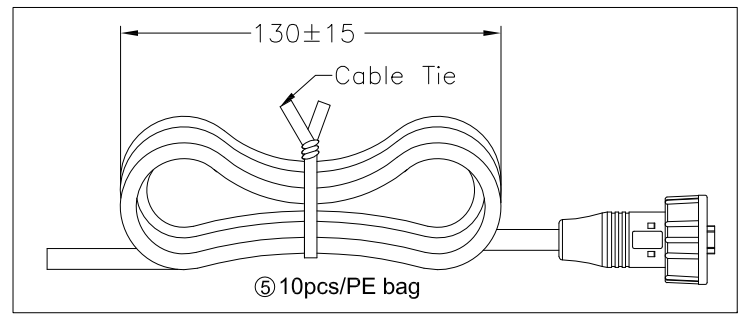
WIRE LIST

	PAIR	COLOR	P1
OPEN		RED	1
		WHITE	2
		GREEN	3
		BLACK	4
		DRAIN	SHELL



- ④ TESTING CONDITIONS:
- VOLTAGE: 300V DC/0.01S.
 - INSULATION RESISTANCE: 10MΩ Min.
 - CONDUCTIVE RESISTANCE: 5Ω Max.
 - 100% OPEN AND SHORT ELECTRICAL TEST.

Waterproof rate:IP67



④ ITEM	SPECIFICATION	QTY	UNIT
⑤	Cap, Nylon+30%GF Black UL94V-0	1	PCS
④	Gasket, EDPM Black UL94V-0	1	PCS
③	ABS 94V-0 BLACK 13/16" -28UN SHELL	10	G
②	USB B/M CONNECTOR SOLDER	1	SET
①	USB 2.0 28AWG*1P+24AWG*2C+AL.MY+D+B JACKET BLACK PVC OD=5.0±0.2mm (UV RESISTANT)	1	PCS

RoHS compliant
Unit: mm

Scale	Free					Date	Name	Customer-No.
TOLERANCE ±0.5	⑤	Update the packing	22.05.2019	Segal	Drawn	29.10.2007	Hellwig	ASSMANN WSW-No. A-KAB-USBB-MS-1M
	④	Cancel "A" logo Add testing conditions and table list	16.03.2018	Amy	Approved	22.05.2019	Amy	
	③	Update to new drawing	19.01.2017	Amy				
	②	Update	07.07.2009	Dean				
	①	Drawn	29.10.2007	Hellwig				
		Id.	Modification	Date	Name	Replace	Sheet	

Drawing-No.	ASS 2384 CA	rev05
Replace		Sheet

1 2 3 4 5 6 7