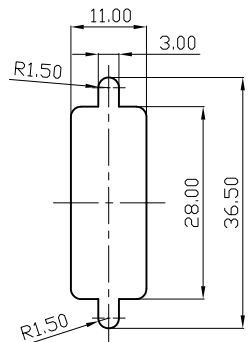
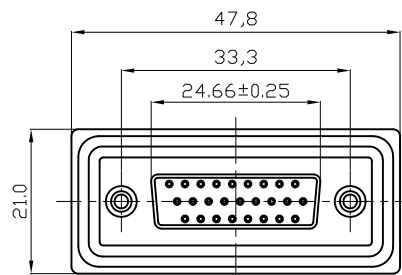
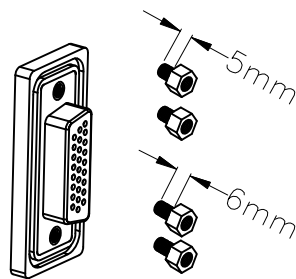
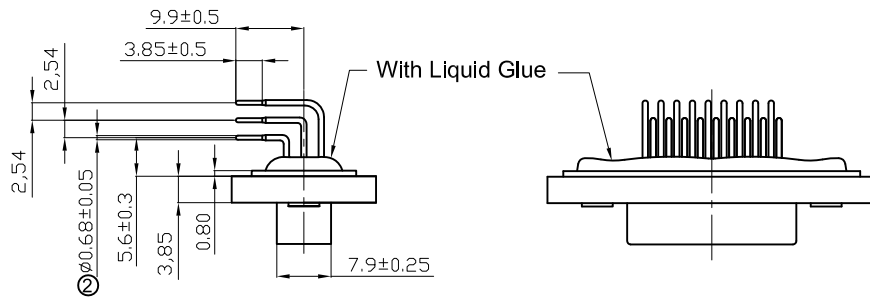


Panel Thickness
Screw L=5.0 For Panel Thickness Under 1.2mm
Screw L=6.0 For Panel Thickness Between 1.2-2.0mm



Recommended Panel Cut-Out



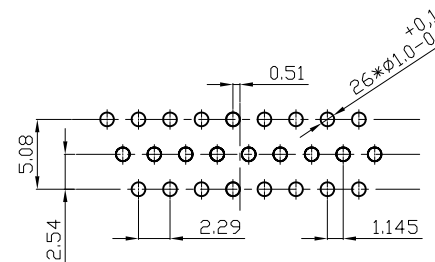
NOTES:

MATERIAL

1. Insulator Material: Black, NYLON+G/F UL94V-0 ②
2. Contact Material: Copper Alloy
- ② 3. Plating: 1u" Gold Plating
4. Waterproof Rate: IP67
5. Do Mating Test After Glued

② **Electrical**

1. Contact resistance: 20mΩ max.
2. Insulation resistance: 500MΩ min. at DC500V
3. Dielectric withstanding voltage: 500V AC 1 minute
4. Rating current: 5A
5. Durability: 500 cycles
6. Temperature range: -20°C ~ +85°C
7. Wave soldering temp.: +220°C 10s max.



26 Pin Female Connector
PCB Pin Layout
Scale 2:1

RoHS compliant
Unit: mm

Scale	Free					Date	Name	Customer-No.
TOLERANCE						Drawn	30.12.2008	JACK
X.X	±0.25					Approved	24.08.2020	Segal
X.XX	±0.10							
X.XXX	±0.05	③	Add the screw spec on page 2	24.08.2020	Segal			
DIM	TOL	②	Change dimension and add notes	24.01.2018	Segal			
		①	Drawn	30.12.2008	JACK			
Angle	±1°	Id.	Modification	Date	Name	ASSMANN WSW components ASS 3278 CO rev03 Replace Sheet 1/2		

ASSMANN WSW-No.
A-HDF 26 AA-WP

Drawing-No.
ASS 3278 CO rev03
Sheet 1/2

1

2

3

4

5

6

7

A

A

B

B

C

C

D

D

E

E

F

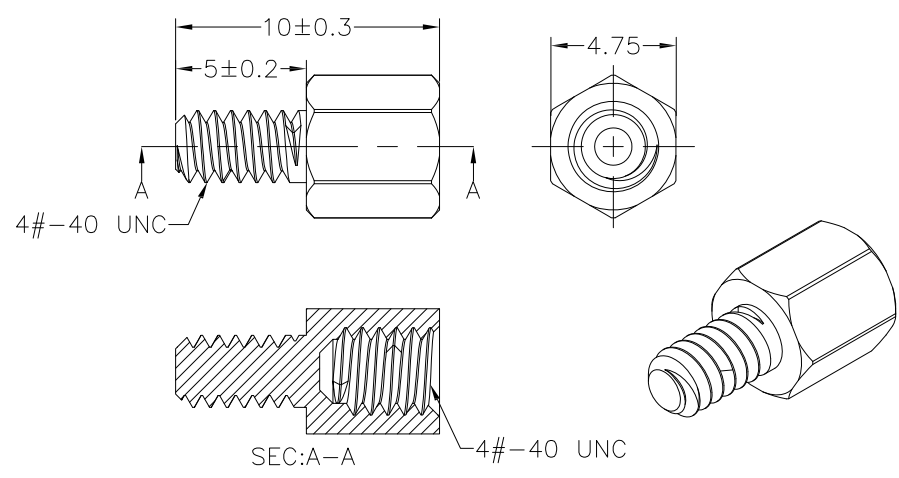
F

G

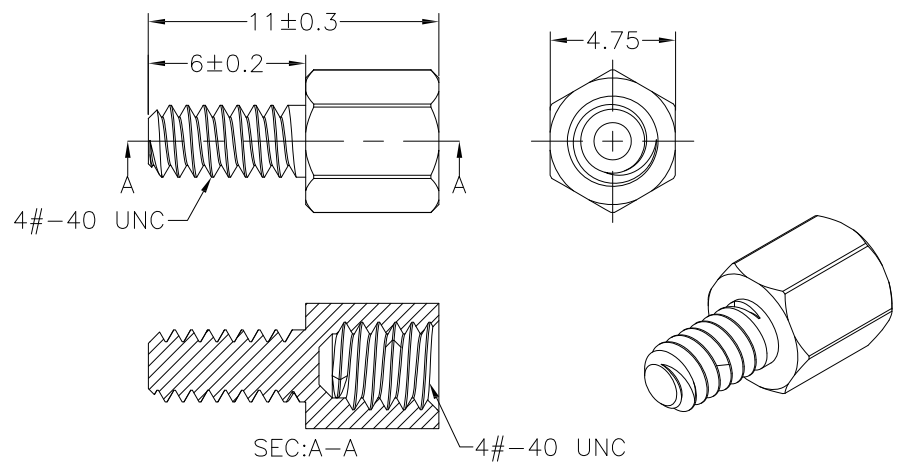
G

H

H



ASCW-000-01EB10



ASCW-000-01EB11

Technical requirements:
 1.Material: Brass C3604;
 2.Requirements: Bright nickel 100u" Min, salt spray 48H.

RoHS compliant
 Unit: mm

Scale	Free						Date	Name	Customer-No.
TOLERANCE						Drawn	30.12.2008	JACK	ASSMANN WSW-No. A-HDF 26 AA-WP
X.X	±0.25					Approved	24.08.2020	Segal	
X.XX	±0.10								Drawing-No. ASS 3278 CO rev03
X.XXX	±0.05	③	Add the screw spec on page 2	24.08.2020	Segal				
DIM	TOL	②	Change dimension and add notes	24.01.2018	Segal				Sheet 2/2
		①	Drawn	30.12.2008	JACK				
Angle	±1°	Id.	Modification	Date	Name				Replace

1

2

3

4

5

6

7