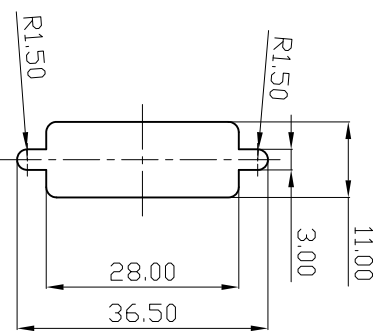
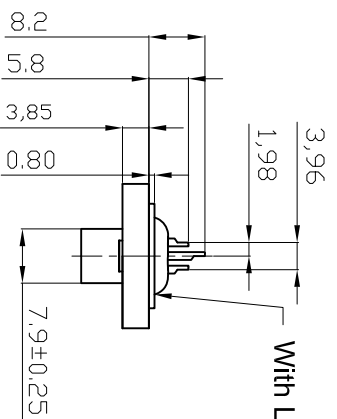


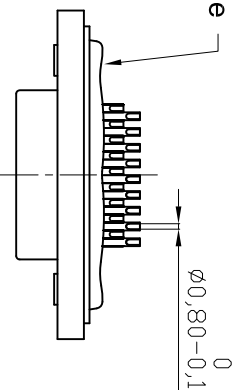
Panel Thickness
Screw L=5.0 For Panel Thickness Under 1.2mm
Screw L=6.0 For Panel Thickness Between 1.2-2.0mm



Recommended Panel Cut-Out



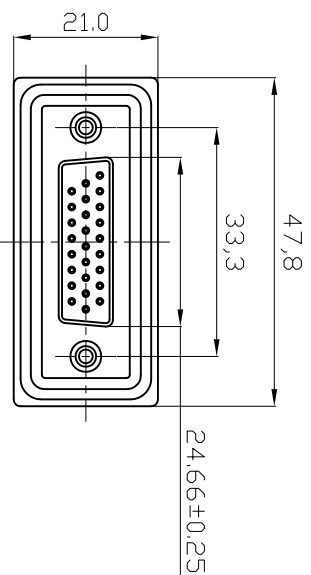
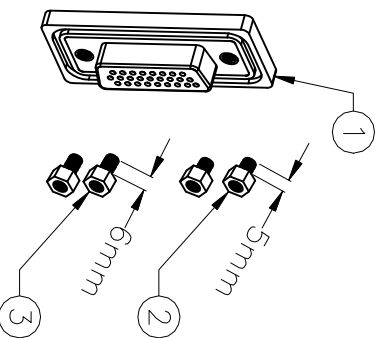
With Liquid Glue



NOTES:

MATERIAL

1. Insulator Material: Black, NYLON+G/F
2. Contact Material : Copper Alloy
3. Plating : Gold Plating
4. Waterproof Rate: IP67
5. Do Mating Test After Glued
6. Applicable Wire Range: 24AWG~28AWG



RoHS compliant

Scale	1:1
TOLERANCE	
X.X	±0.25
X.XX	±0.10
X.XXX	±0.05
DIM	TOL
ANGLE	±1°
X.X°	±X°
Angle	TOL

①	Cancel LOGO	Id.	Modification	Date	Name
②	Drawn	①		24.01.2018	Tom
				30.12.2008	JACK

Drawn	Date	Name
Approved	24.01.2018	Amy



Customer-No.	ASSMANN WSW-No.	Drawing-No.	Replace
	A-HDF 26 LL-WP	ASS 3279 CO	rev02
			Sheet

1 2 3 4 5 6 7

A B C D E F G H