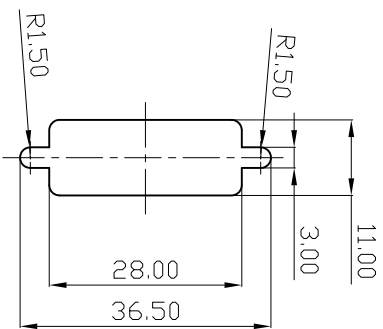
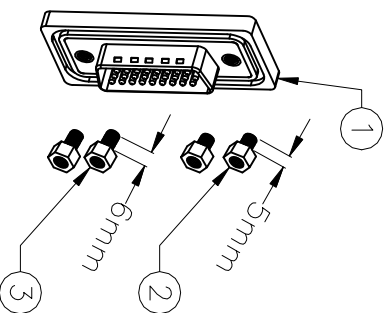
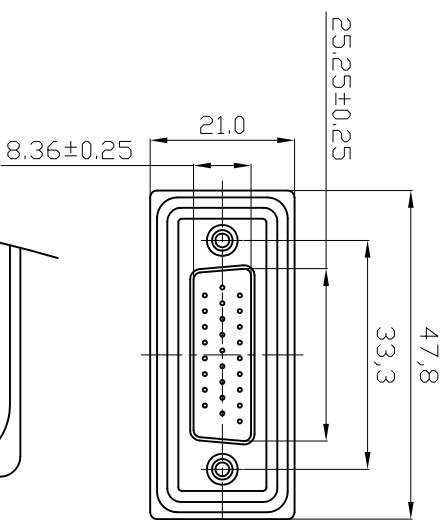
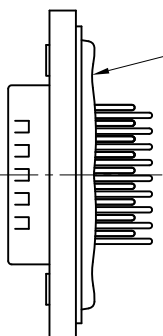
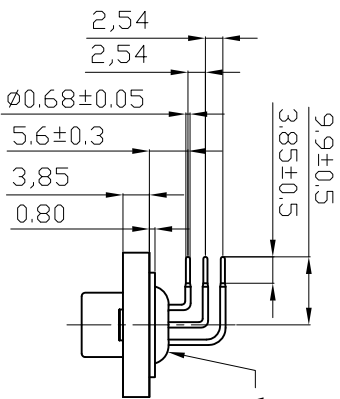




**Panel Thickness**  
 Screw L=5.0 For Panel Thickness  
 Under 1.2mm  
 Screw L=6.0 For Panel Thickness  
 Between 1.2-2.0mm



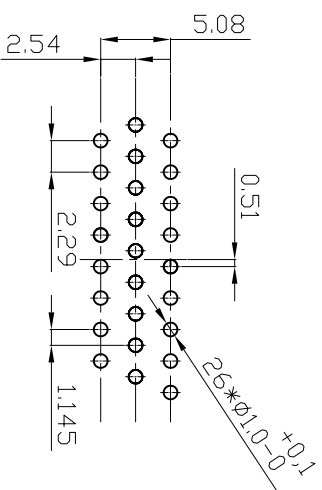
Recommended Panel Cut-Out



**NOTES:**

**MATERIAL**

1. Insulator Material: Black, NYLON+G/F
2. Contact Material : Copper Alloy
3. Plating : Gold Plating
4. Waterproof Rate: IP67
5. Do Mating Test After Glued



26 Pin Male Connector  
 PCB Pin Layout  
 Scale 2:1

**RoHS compliant**

|           |       |
|-----------|-------|
| Scale     | 1:1   |
| TOLERANCE |       |
| X.X       | ±0.25 |
| X.XX      | ±0.10 |
| X.XXX     | ±0.05 |
| DIM       | TOL   |
| ANGLE     | ±1°   |
| X.X°      | ±X°   |
| Angle     | TOL   |

|   |                                      |     |              |            |      |
|---|--------------------------------------|-----|--------------|------------|------|
| ① | Update the size and delete the LOGO. | Id. | Modification | Date       | Name |
| ② | Drawn                                | ①   | Drawn        | 30.12.2008 | JACK |
|   |                                      |     |              | 01.04.2018 | Tom  |

|          |            |      |
|----------|------------|------|
| Drawn    | Date       | Name |
| Drawn    | 30.12.2008 | JACK |
| Approved | 01.04.2018 | Amy  |

**ASSMANN**  
 WSW components

Customer-No.  
 ASSMANN WSW-No.  
**A-HDS 26 AA-WP**

Drawing-No.  
**ASS 3280 CO**

Replace  
 rev02  
 Sheet

1 2 3 4 5 6 7

A B C D E F G H