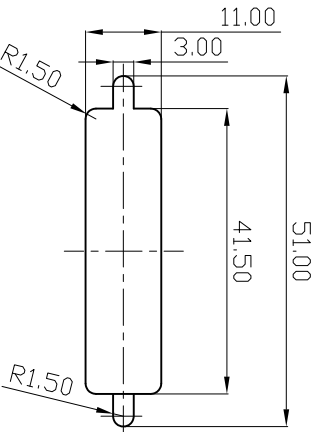
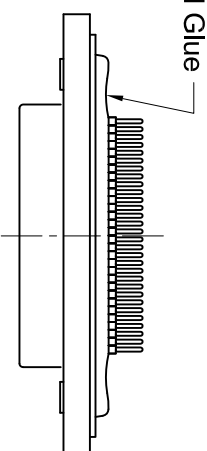
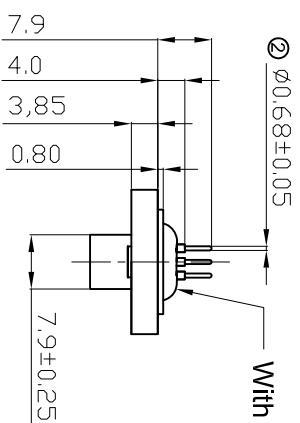


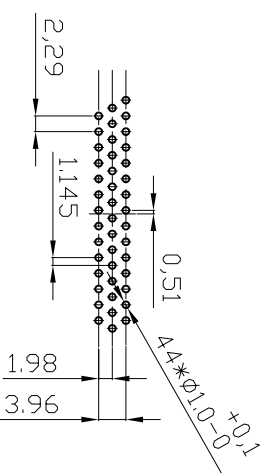
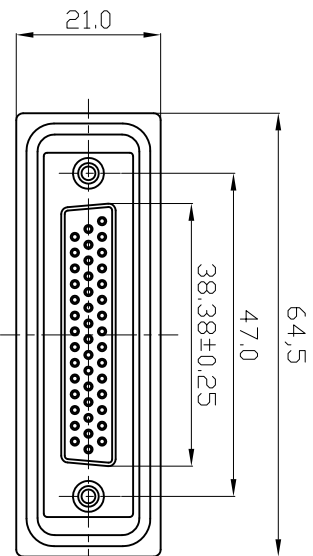
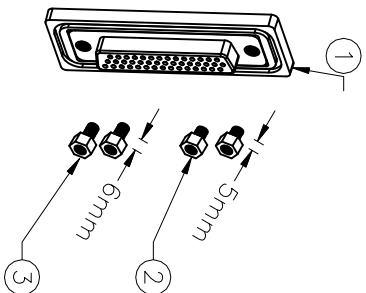
Panel Thickness
 Screw L=5.0 For Panel Thickness Under 1.2mm
 Screw L=6.0 For Panel Thickness Between 1.2-2.0mm



Recommended Panel Cut-Out



- NOTES:**
- MATERIAL**
1. Insulator Material: Black, NYLON+G/F
 2. Contact Material : Copper Alloy
 3. Plating : Gold Plating
 4. Waterproof Rate: IP67
 5. Do Mating Test After Glued



44 Pin Female Connector
 PCB Pin Layout

RoHS compliant

Scale	1:1								
TOLERANCE									
X.X	±0.25				Drawn	30.12.2008	JACK		
X.XX	±0.10				Approved	25.01.2018	Amy		
X.XXX	±0.05								
DIM	TOL	②	Cancel LOGO and change dimension	25.01.2018	Tom				
ANGLE	±1°	①	Drawn	30.12.2008	JACK				
X.X°	±X°								
Angle	TOL	Id.	Modification	Date	Name				



Customer-No.
 ASSMANN WSW-No.
A-HDF 44 PP-WP

Drawing-No.
ASS 3289 CO

Replace Sheet

1 2 3 4 5 6 7

A B C D E F G H