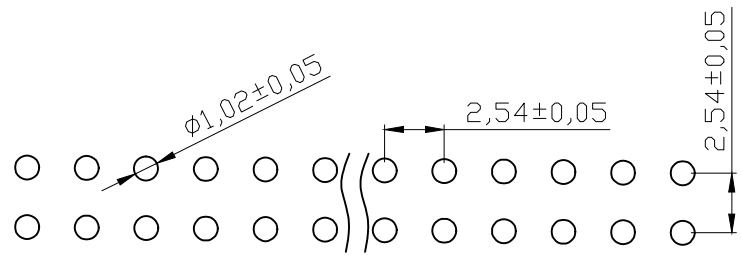
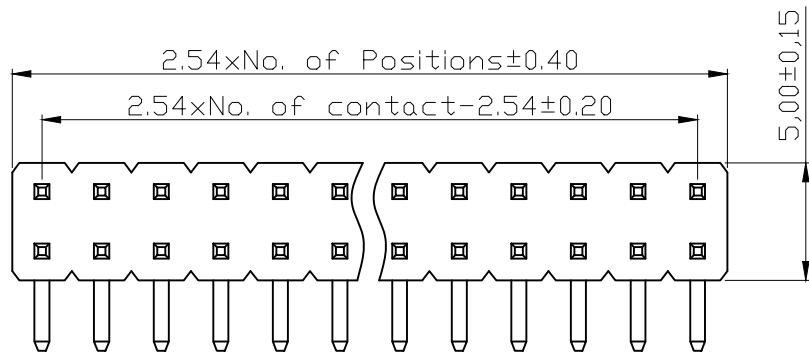


1 2 3 4 5 6 7

A



P.C.B. LAYOUT

B

C

NOTES:

MATERIAL

- 1. Insulator Material: PBT+30%GF(UL94V-0), Black
- 2. Contact Material : Brass
- 3. Contact Plating :
 AWL254-DA-GXXD: Au Over Ni
 AWL254-DA-ZXXD: Tin plated

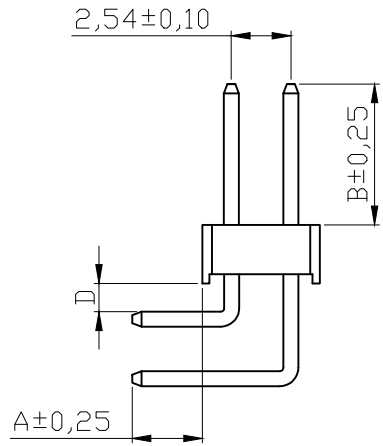
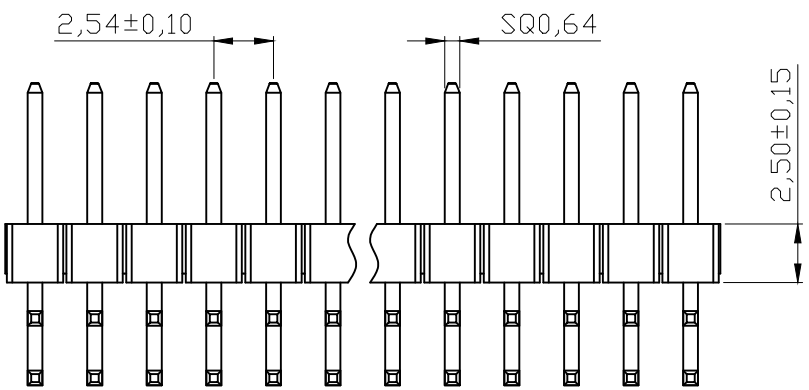
ELECTRICAL

- 1. Current Rating : 3.0Amps/contact max
- 2. Withstand Voltage : 1000V AC/minute
- 3. Contact Resistance : 20mΩ/contact max
- 4. Insulation Resistance: 1000MΩ min at Voltage=100V

ENVIRONMENTAL

- 1. Operation Temperature: -40°C to +105°C
 - ④ 2. Soldering temperature: +220°C max
 - 3. Mechanical life cycle: min.200
- Packing: PE Bag

D



E

F

Dimension antitheses list

A	B	D
3.00	6.00	1.20

RoHS compliant

Unit: mm

Scale	Free				Date	Name	Customer-No.
TOLERANCE					Drawn	03.02.2009	Dean
X.	±0.50						
X.X	±0.30	④	Add soldering temperature	24.07.2015	Amy	Approved	24.07.2015
X.XX	±0.20	③	Update	27.09.2012	Amy		
X.XXX	±0.10	②	Change of Plant	30.01.2012	Lucas		
DIM	TOL	①	Drawn	03.02.2009	Dean		
Angle	±5°	Id.	Modification	Date	Name		



ASSMANN WSW-No. AWL254-DA-ZXXD
AWL254-DA-GXXD

Drawing-No. ASS 3346 CO rev04

Replace Sheet

H

1 2 3 4 5 6 7