

1

2

3

4

5

6

7

A

A

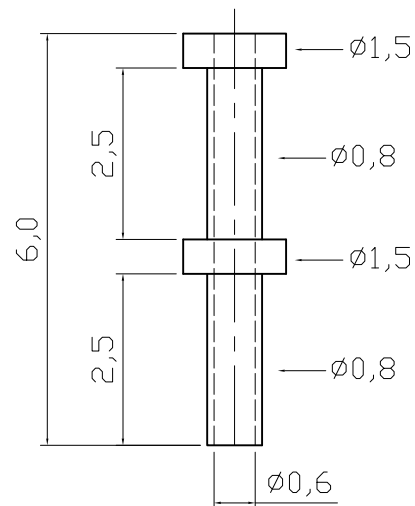
Material: Brass
Plating: Au over Ni

B

B

C

C



D

D

E

E

F

F

G

G

RoHS compliant

Scale	1:1						Date	Name	Customer-No.		
TOLERANCE						Drawn	09.09.2009	Dean			
X.	±X					Approved	09.09.2009	Hellwig	ASSMANN WSW-No. AL 45		
X.X	±X										
X.XX	±X										
DIM	TOL								Drawing-No.		
X.°	±X°				ASS 3696 CO				rev01		
X.X°	±X°	①	Drawn	09.09.2009	Dean				Replace		Sheet
Angle	TOL	Id.	Modification	Date	Name						

H

H

1

2

3

4

5

6

7