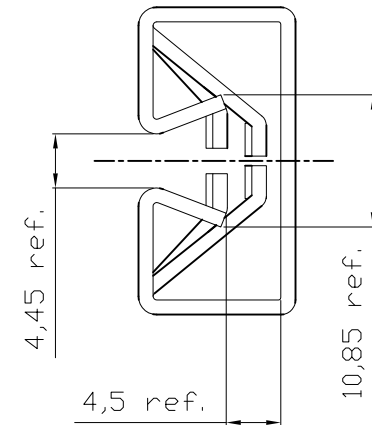
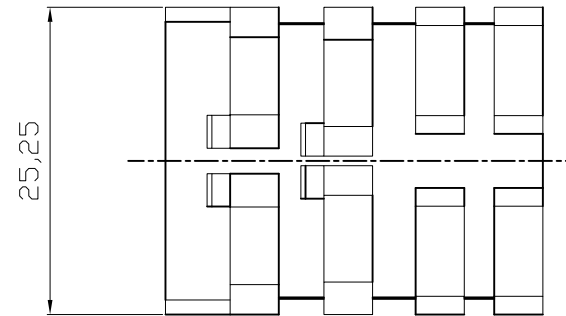
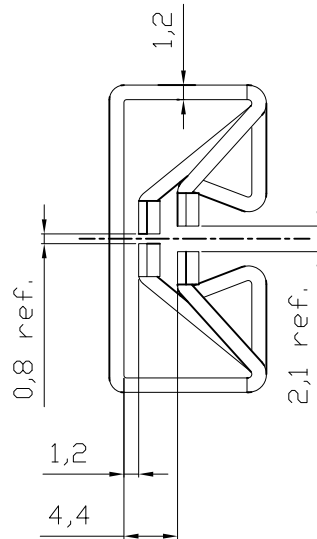


NOTE:
 Material: AL5052 T=1.2mm
 Finish: Black anodized



RoHS compliant
 Unit: mm

Scale	Free						Date	Name	Customer-No.
TOLERANCE						Drawn	11.04.2014	Amy	
						Approved	11.04.2014	Amy	ASSMANN WSW-No.
Unit	±0.20								V2160B
DIM	TOL								Drawing-No.
									ASS 4052 HS
		©	Drawn	11.04.2014	Amy				rev00
Angle	TOL	Id.	Modification	Date	Name			Replace	Sheet



ASS 4052 HS

rev00

Replace

Sheet