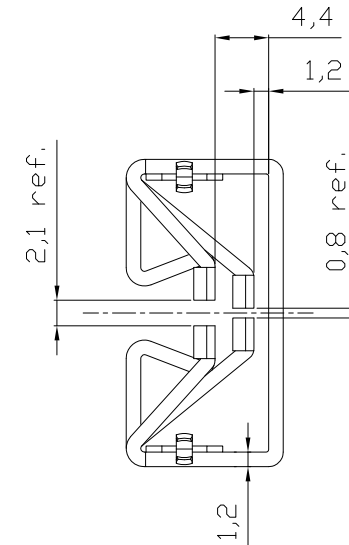
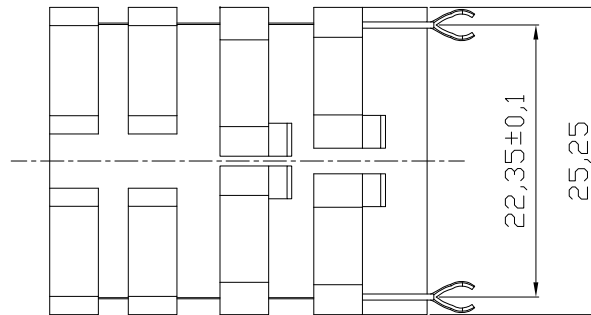
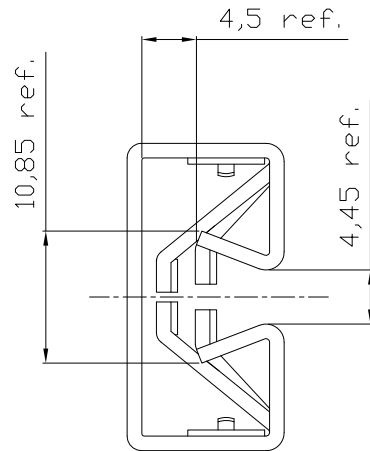


NOTE:
 Material: AL5052 T=1.2mm
 Finish: Black anodized



RoHS compliant
 Unit: mm

Scale	Free						Date	Name	Customer-No.
TOLERANCE						Drawn	11.04.2014	Amy	ASSMANN WSW-No. V2161B
						Approved	11.04.2014	Amy	
Unit	±0.20								Drawing-No.
DIM	TOL								ASS 4053 HS
		©	Drawn	11.04.2014	Amy	ASSMANN WSW components			rev00
Angle	TOL	Id.	Modification	Date	Name			Replace	Sheet

1

2

3

4

5

6

7