

1

2

3

4

5

6

7

A

B

C

D

E

F

G

H

A

B

C

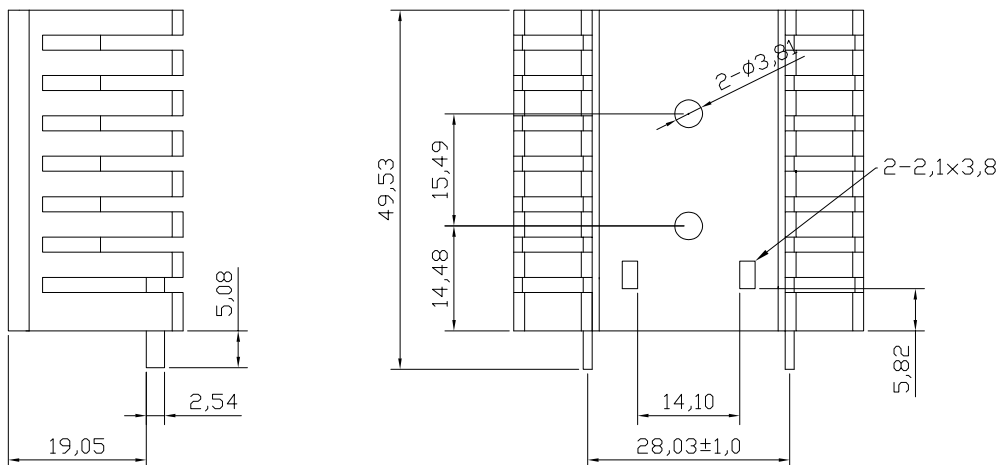
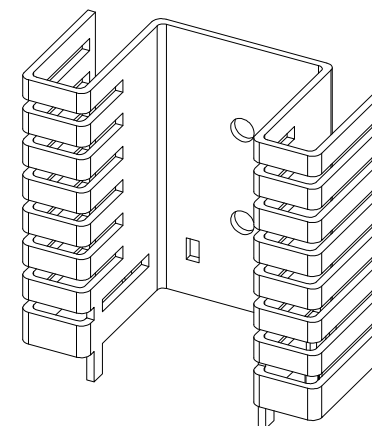
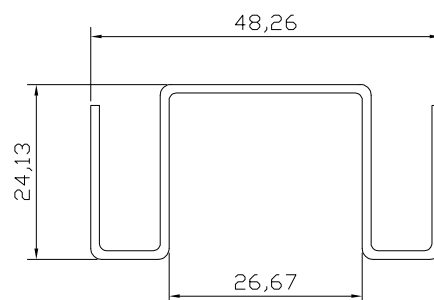
D

E

F

G

H



① Note:  
 Material: AL1050 T=1.2mm  
 Finish: Black anodized  
 Suitable clip is V11HK  
 Thermal resistance: 5K/W

**RoHS compliant**  
 Unit: mm

Scale	Free				Date	Name	Customer-No.
TOLERANCE				Drawn	08.07.2016	Amy	
				Approved	22.07.2019	Amy	ASSMANN WSW-No. V2162B1
Unit	±0.30						Drawing-No. ASS 4325 HS rev01
DIM	Tol	① Update note	22.07.2019	Amy			Sheet
		② Drawn	08.07.2016	Amy			
Angle	Tol	Id.	Modification	Date	Name	Replace	

1

2

3

4

5

6

7

KT2164