

1

2

3

4

5

6

7

A

B

C

D

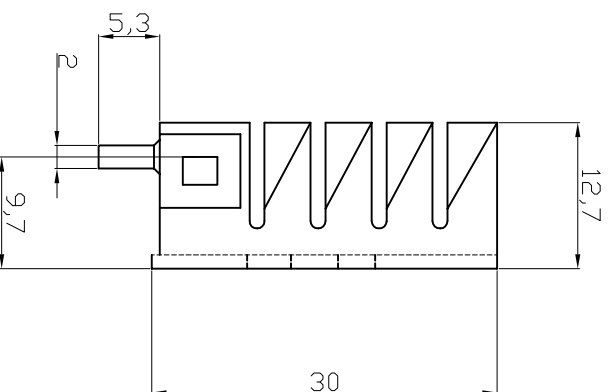
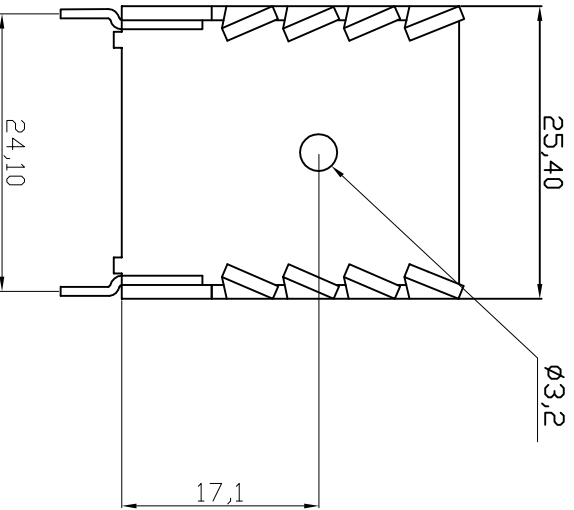
E

F

G

H

RoHS compliant
Unit: mm



Notes
 Material : AL 1050 T=1.2MM
 Finished : Black Anodize
 Suitable clip is V08HK

Scale	Free	Id.	Modification	Date	Name
TOLERANCE		①	Drawn	08.07.2016	Amy
Unit	±0.25				
DIM	TOL				
Angle					

Scale	Free	Date	Name
TOLERANCE		08.07.2016	Amy
Unit	±0.25	08.07.2016	Amy
DIM	TOL		
Angle			



Customer-No.

ASSMANN WSW-No.

V8502A1

Drawing-No.

ASS 4327 HS

Replace

Sheet

1

2

3

4

5

6

7

KT2164

A

B

C

D

E

F

G

H