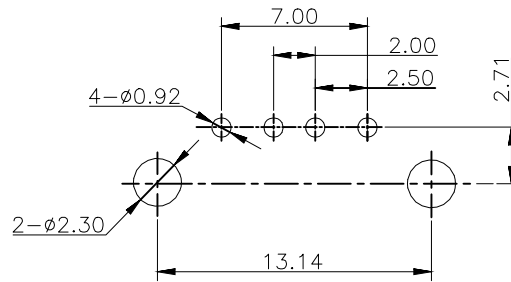
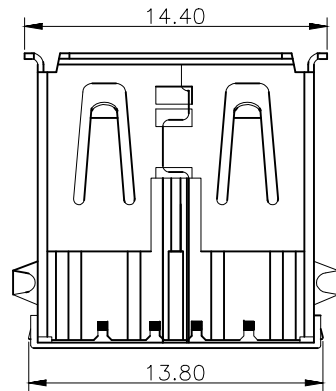
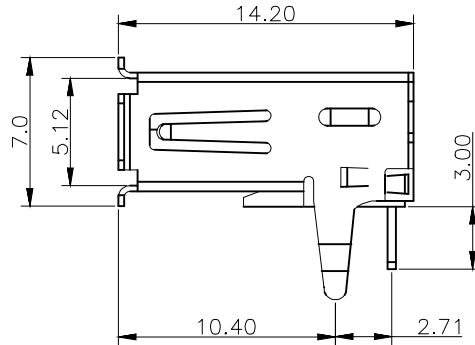
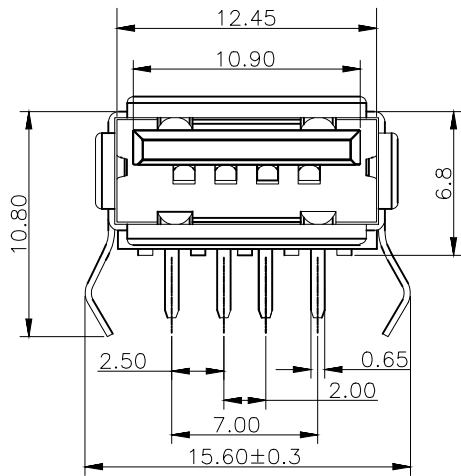


③ **USB2.0 COMPLIANT**



RECOMMENDED P.C.B LAYOUT  
(TOLERANCE:±0.05)

**NOTES:**

- 1.Material:
  - 1.1 Housing: PBT+30%GF UL94V-0, Color White
  - 1.2 Shell: Brass
  - 1.3 Contact :Phosphor Bronze
2. FINISH:
  - 2.1 Contact Area: Selective 5u"Au
  - Solder Area: Tin Plated
  - Under: Ni Plated
- 3.MECHANICAL:
  - 3.1 Mating Force:3.57kgf Max.
  - 3.2 Unmating Force:1.02kgf Min
  - 3.3 Durability:1500 cycles Min
- 4.ELECTRICAL:
  - 4.1 Current Rating:1.5A
  - 4.2 Dielectric Strength:500V AC FOR 1 MINUTE
  - 4.3 Contact Resistance:30mΩ Max
  - 4.4 Insulation Resistance:1000 MΩ Min
- 5.Operating temperature: -55°C TO +85°C
- ② 6.Wave soldering temperature :265°C ,5S max
- 7.PACKIING: Tray

**RoHS compliant**

Scale	Free					Date	Name	Customer-No.
TOLERANCE					Drawn	07.06.2013	Winnie	
.X	±0.30							
.XX	±0.20	③	Update	24.07.2019	Xavier	Approved	20.03.2017	Winnie
.XXX	±0.10	②	Add the wave soldering temperature &time	20.03.2017	Winnie			
DIM	TOL	①	Change the P/N AU-Y1005-R to AU-Y1005	25.11.2013	Winnie			
X.°	±5°	①	Drawn	07.06.2013	Winnie			
Angle	TOL	①						
UNIT	mm	Id.	Modification	Date	Name			
								Replace



ASSMANN WSW-No.  
① **AU-Y1005**

Drawing-No.  
**ASS 5773 CO** rev03