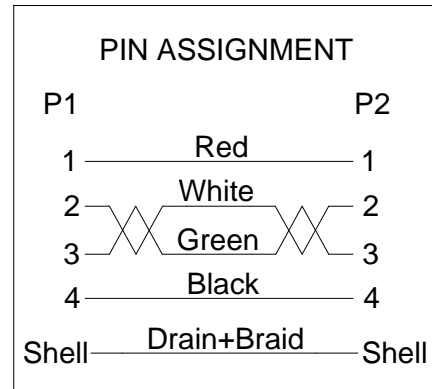
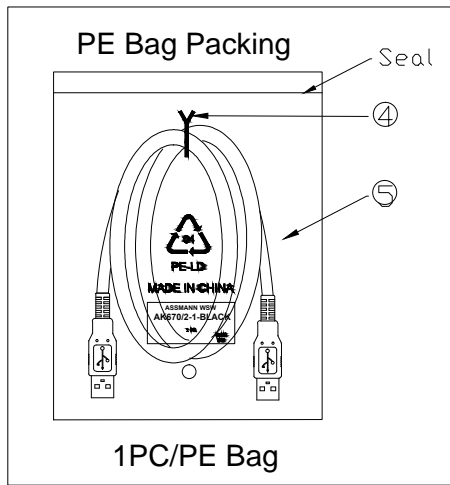


① Cable White print
 AWM STYLE 2725 80°C 30V VW-1 28AWG/1P 24AWG/2C
 ---c AWM I/II A 80°C 30V FT1 USB CABLE



WSW P/N	Jacket color	Length(mm)
AK670/2-1-BLACK	Black	1000±30
AK670/2-2-BLACK	Black	2000±50
AK670/2-3-BLACK	Black	3000±50
AK670/2-5-BLACK	Black	5000±50

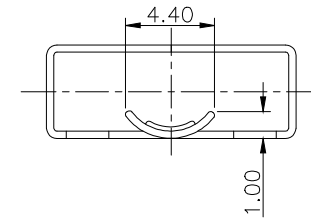
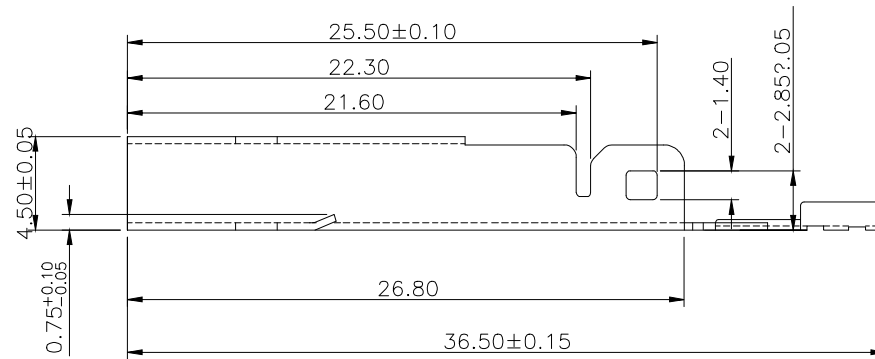
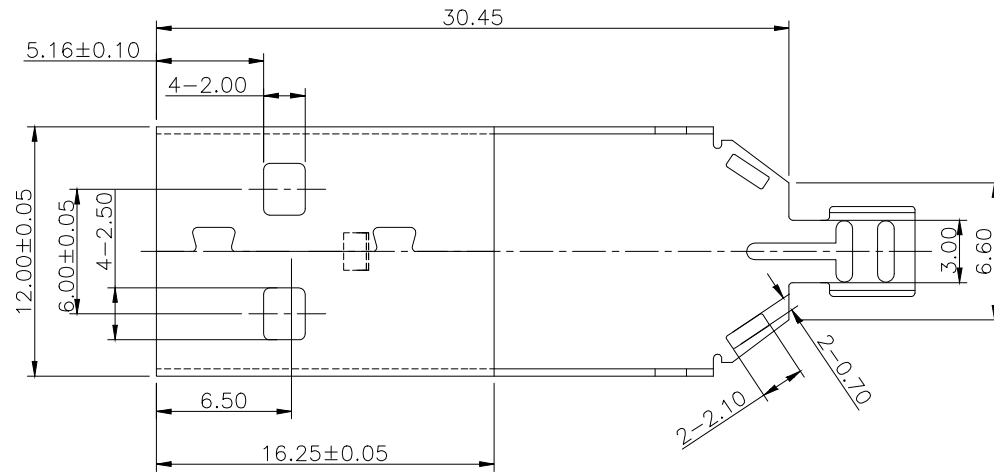
- Electrical test:
- 100% short, open, miswire test
 2. Conduct resistance:
 - 2 Ohm max. for cables of 2m below
 - 4 Ohm max. for cables of 3~5m
 3. Insulator resistance: 10Mohm min.
 4. Dielectric test: DC 300V

⑤	PE Bag	1	Clear Print black "MADE IN CHINA"+ "1PC"
④	TIE	1	Black
③	Out Jacket	12g	Black PVC-45P
②	Cable	1	USB2.0 UL2725 28#/1P+24#/2C+AEB OD:4.7mm Black
①	CONN	2	USB A Male Shell:Nickel Pin:G/F Insulator color:White
NO.	NAME.	Q'TY	SPECIFICATION

RoHS compliant
Unit: mm

Scale	Free					Date	Name	Customer-No.							
TOLERANCE						Drawn	24.10.2014	Amy							
		③	Add page 2&3&4	21.10.2019	Winnie	Approved	21.10.2019	Winnie							
		②	Correct conduct resistance	15.01.2019	Xavier										
DIM	TOL	①	Update the drawing	21.03.2016	Amy										
		①	Drawn	24.10.2014	Amy										
Angle	TOL	Id.	Modification	Date	Name	<table border="1"> <tr> <td colspan="2">Drawing-No.</td> <td rowspan="2">ASS 7243 CA</td> <td rowspan="2">rev03</td> </tr> <tr> <td>Replace</td> <td>Sheet</td> <td>1/4</td> </tr> </table>			Drawing-No.		ASS 7243 CA	rev03	Replace	Sheet	1/4
Drawing-No.		ASS 7243 CA	rev03												
Replace	Sheet			1/4											

Long Shell:



RoHS compliant
Unit: mm

Scale	Free					Date	Name	Customer-No.
TOLERANCE					Drawn	24.10.2014	Amy	ASSMANN WSW-No. AK670/2-x-BLACK
		③	Add page 2&3&4	21.10.2019	Winnie	Approved	Winnie	
		②	Correct conduct resistance	15.01.2019	Xavier			
DIM	TOL	①	Update the drawing	21.03.2016	Amy			
		①	Drawn	24.10.2014	Amy			
Angle	TOL	Id.	Modification	Date	Name	Drawing-No. ASS 7243 CA		rev03 Sheet 2/4

1

2

3

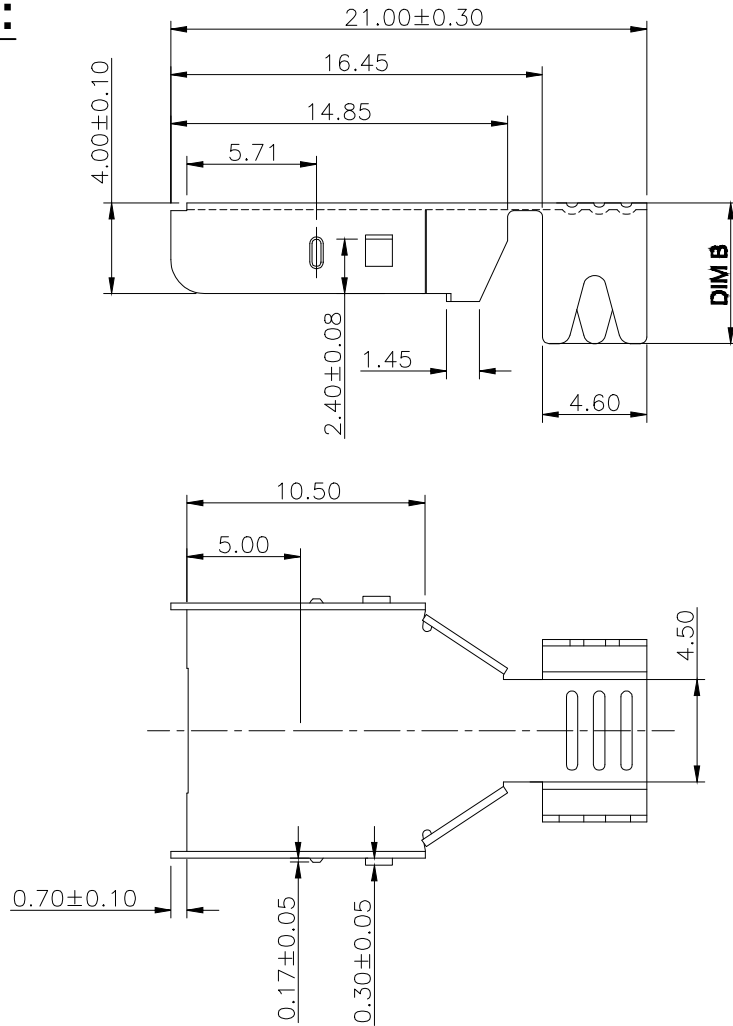
4

5

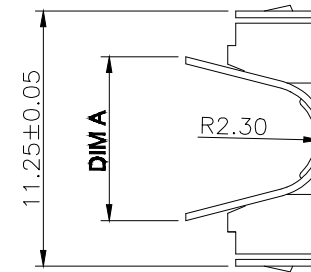
6

7

Back Shell:



DIM A	DIM B
8.50±0.40	7.00±0.30



RoHS compliant
Unit: mm

Scale	Free					Date	Name	Customer-No.
TOLERANCE					Drawn	24.10.2014	Amy	ASSMANN WSW-No. AK670/2-x-BLACK
		③	Add page 2&3&4	21.10.2019	Winnie	Approved	21.10.2019	
		②	Correct conduct resistance	15.01.2019	Xavier			Drawing-No. ASS 7243 CA
DIM	TOL	①	Update the drawing	21.03.2016	Amy			
		①	Drawn	24.10.2014	Amy			Replace
Angle	TOL	Id.	Modification	Date	Name			

1

2

3

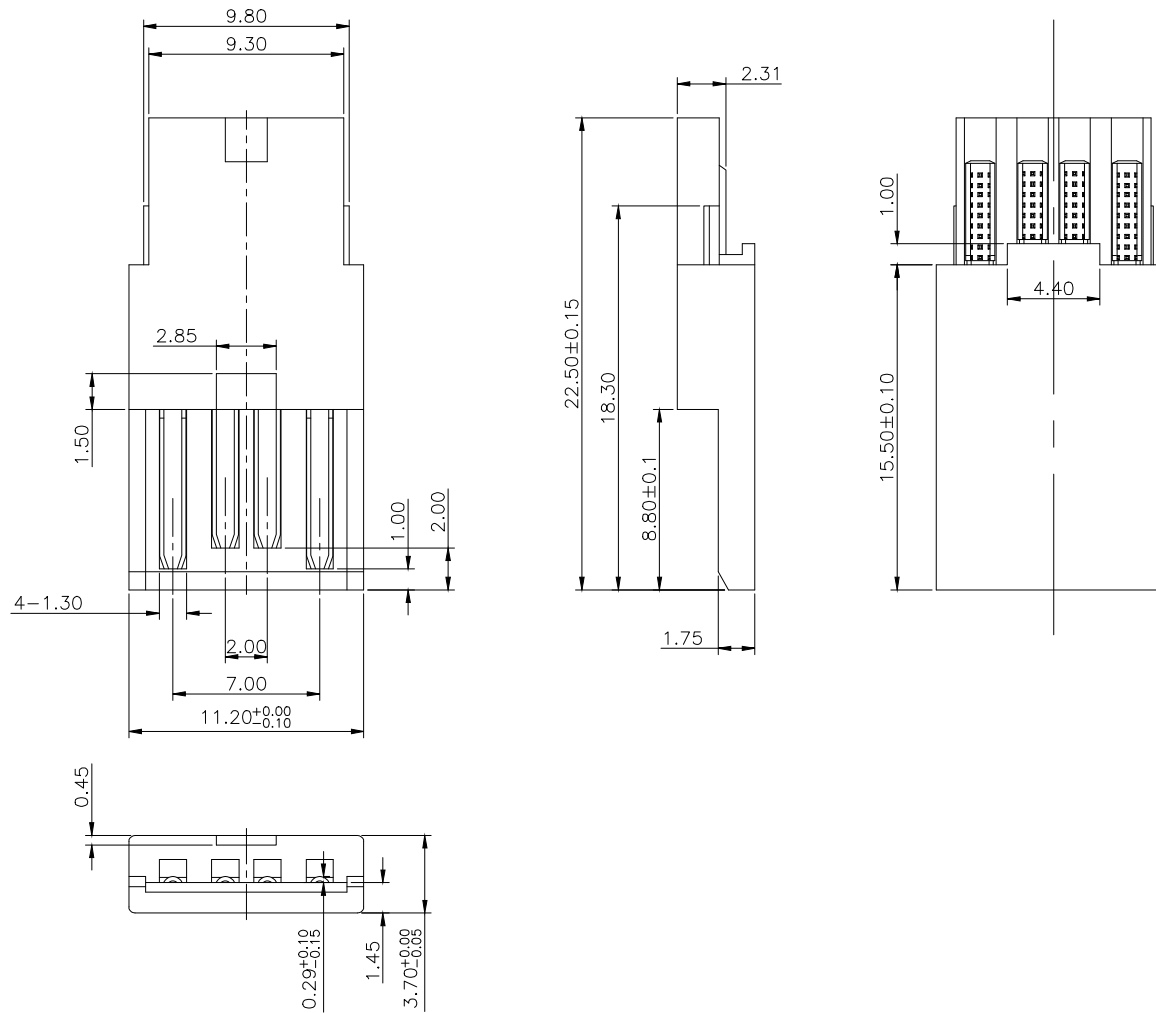
4

5

6

7

Insulator Body :



RoHS compliant

Unit: mm

Scale	Free				Date	Name	Customer-No.
TOLERANCE					Drawn	24.10.2014	Amy
		③	Add page 2&3&4	21.10.2019	Winnie	Approved	21.10.2019
		②	Correct conduct resistance	15.01.2019	Xavier		
DIM	TOL	①	Update the drawing	21.03.2016	Amy	ASSMANN WSW components	
		①	Drawn	24.10.2014	Amy		
Angle	TOL	Id.	Modification	Date	Name	ASSMANN WSW-No.	AK670/2-x-BLACK
						Drawing-No.	ASS 7243 CA
						Replace	rev03
							Sheet 4/4