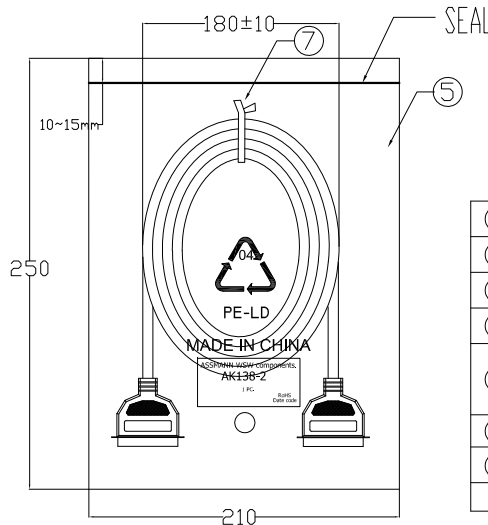


PIN ASSIGNMENT			
P1	P2	P1	P2
1	1	19	19
2	2	20	20
3	3	21	21
4	4	22	22
5	5	23	23
6	6	24	24
7	7	25	25
8	8	26	26
9	9	27	27
10	10	28	28
11	11	29	29
12	12	30	30
13	13	31	31
14	14	32	32
15	15	33	33
16	16	34	34
17	17	35	35
18	18	36	36
SHELL		SHELL	



NO.	NAME	Q'TY	SPECIFICATION
⑦	TIE	1	WHITE L=180mm
⑥	PE BAG	1/5	CLEAR SIZE: 360*380*0.05mm PRINT BLACK"MADE IN CHINA"+"5PCS"
⑤	PE BAG	1	CLEAR SIZE: 210*250*0.05mm PRINT BLACK"MADE IN CHINA"
④	TUBE	2	HEAT SHRINK TUBE BLACK OD1.5*20MM
③	IN JACKET	18g	CLEAR LD-PE (Mould NO.:NM-62)
	OUT JACKET	60g	BEIGE(IV-29) 40P PVC(Mould NO.WM-145)
②	CONN	2	CN 36P MALE SODER TYPE PIN G/F SHELL NI-PLATED INSULATOR COLOR:BLUE
①	CABLE	1	NOUL 28#(7/0.12)*36C+D+AL/MY OD:9.0mm JACKET:BEIGE(IV-29#) L=2000±30MM
NO.	NAME	Q'TY	SPECIFICATION

**Electrical test:**  
 1.100% short,open,miss wire test  
 2.Conduct resistance:2 Ohm(max)  
 3.Insulation resistance:5 Mohm(min)  
 4.Dielectric test:DC 300V

**RoHS compliant**  
 Unit: mm

Scale	Free					Date	Name	Customer-No.
TOLERANCE						Drawn	20.02.2017	Amy
						Approved	04.09.2017	Fred
								ASSMANN WSW-No. <b>AK138-2</b>
DIM	TOL	①	Delete the wire color for pin assignment	04.09.2017	Fred			
		②	Drawn	20.02.2017	Amy			
Angle	TOL	Id.	Modification	Date	Name	Replace		ASS 7879 CA rev01
								Sheet