

1

2

3

4

5

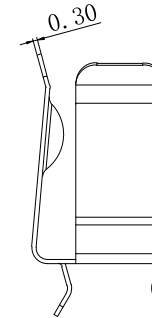
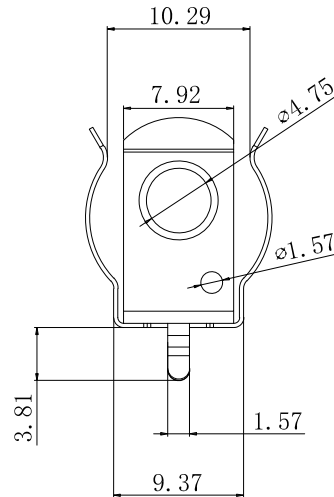
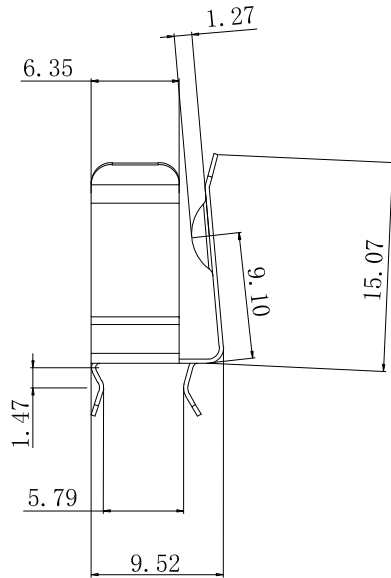
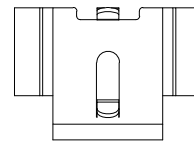
6

7

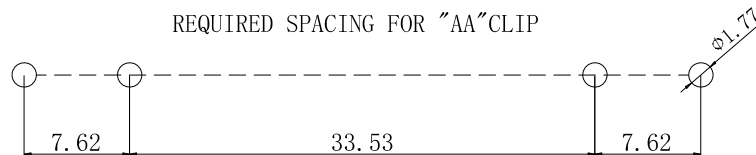
NOTE:

1.MATERIAL: 0.30mm Pre-hardened and Nickel Plated
Heat Treat T0 Spring Temper

2.Packing: Tray




REQUIRED SPACING FOR "AA"CLIP



RoHS compliant
unit:mm

Scale	Free
TOLERANCE	
.X	±0.35
.X	±0.25
.XX	±0.20
.XXX	±0.15
DIM	TOL
Angle	TOL

Drawn	24.11.2021	Peter
ld.	modification	Date Name

Date: 24.11.2021
 Name: Peter
 Drawn: 24.11.2021
 Approved: 24.11.2021
 Name: Peter


Description: Battery Clip CR134A Type	
ASSMANN WSW-NO. A-BAT-CH-03-EG-CTP1	
Drawing-No. ASS 9093 CO	rev00
Customer-No.	SHEET 1 / 1

1

2

3

4

5

6

7