

1

2

3

4

5

6

7

A

A

B

B

C

C

D

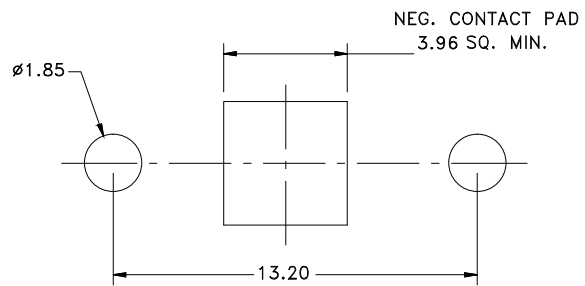
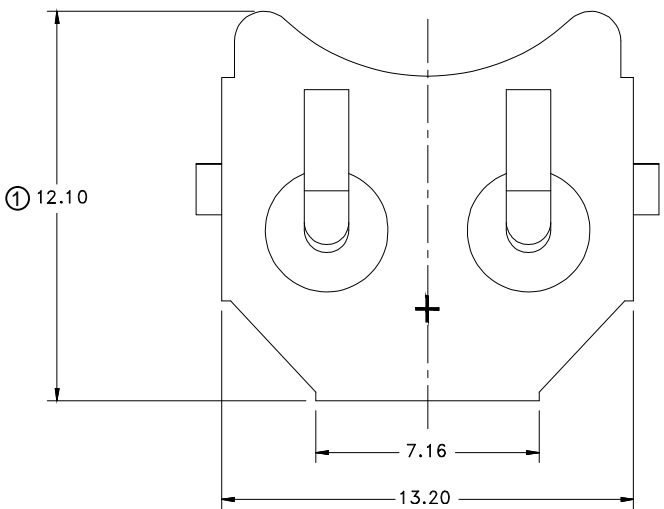
D

E

E

F

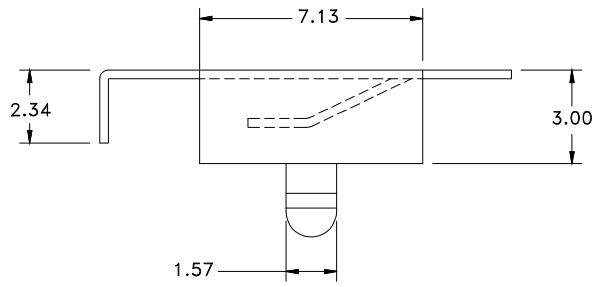
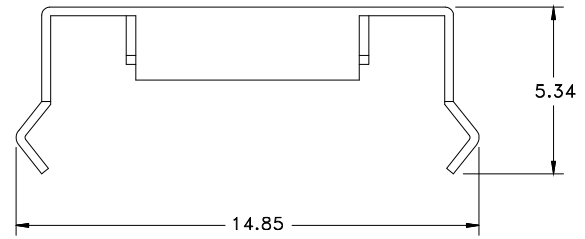
F



PCB LAYOUT

NOTE:

- 1.MATERIAL
 - 1.1 Contact: Phosphor Bronze,T=0.254mm Full Hard
- 2.FINISH
 - 2.1 Contact: Nickel Plate
0.00254-0.00762 Nickel,Over 0.00127-0.00254 Copper
- 3.Geometry
 - 3.1 All inside bend radii to be a min. of material thickness unless otherwise specified
 - 3.2 Part must be free of all burrs and sharp edges
 - 3.3 Indicates critical dimension
- 4.Packing: Tape & Reel



G

G

RoHS compliant
unit:mm

Scale	Free						Date	Name	Description: Battery Contacts CR1225 Type Positive Pole	
TOLERANCE							Drawn	24.11.2021		Peter
X.	±0.35						Approved	06.12.2023	Winnie	
.X	±0.25								ASSMANN WSW-NO. A-BAT-CH-C2-EA-CRR1	
.XX	±0.20									
.XXX	±0.15	①	Correct the dim 2.50mm to 12.10mm	06.12.2023	Winnie			Drawing-No.	ASS 9096 CO	rev01
DIM	TOL	②	Drawn	24.11.2021	Peter					
Angle	TOL	Id.	modification	Date	Name					

H

H

1

2

3

4

5

6

7