

1

2

3

4

5

6

7

A

A

B

B

C

C

D

D

E

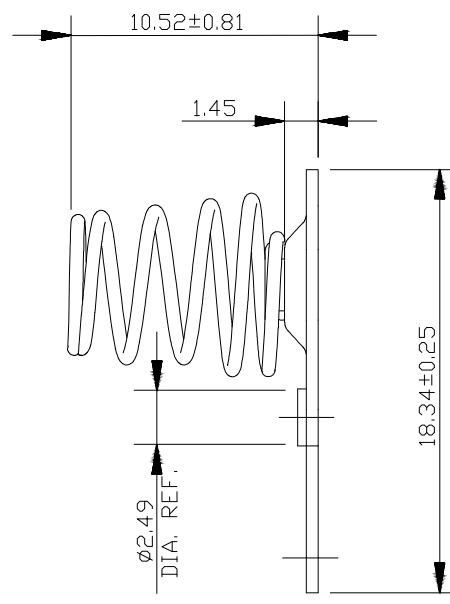
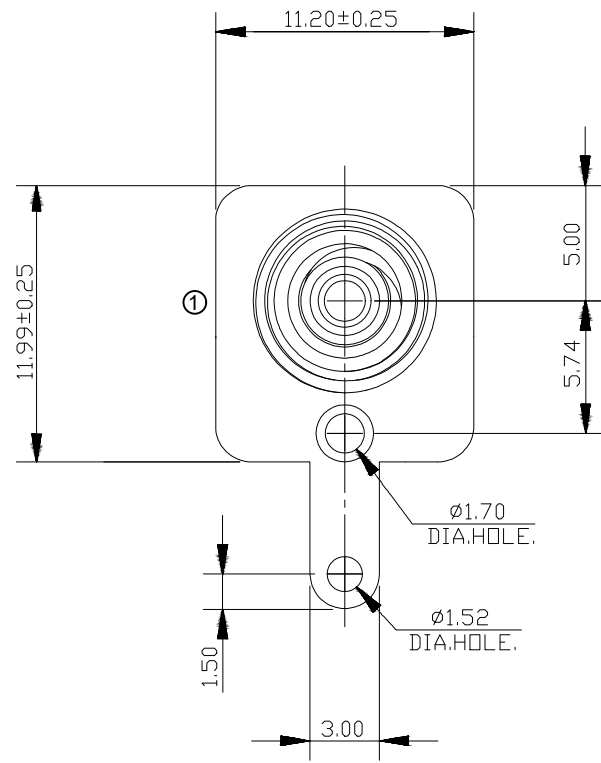
E

F

F

**NOTE:**

- 1.MATERIAL
- 1.1 Base: 0.50mm Thickness Steel, Nickel Plated
- 1.2 Spring Contact: Ø0.58mm Music Wire,Nickel Plated
- 2.Packing: PE Bag



G

G

RoHS compliant  
unit:mm

Scale	Free
TOLERANCE	
.X	±0.35
.X	±0.25
.XX	±0.20
.XXX	±0.15
DIM	TOL
Angle	TOL

			Date	Name	Description: Battery Contacts Type: AA / LR06 Negative Pole
		Drawn	30.11.2021	Peter	
		Approved	18.07.2022	Daniel	ASSMANN WSW-NO.
					<b>A-BAT-BH-B0-EA-CHB3</b>
		①	Remove the tongue	18.07.2022	Daniel
		②	Drawn	30.11.2021	Peter
		Id.	modification	Date	Name



Drawing-No.	ASS 9108 CO	rev01
Customer-No.	SHEET 1 / 1	

1

2

3

4

5

6

7

H

H