

1

2

3

4

5

6

7

A

A

B

B

C

C

D

D

E

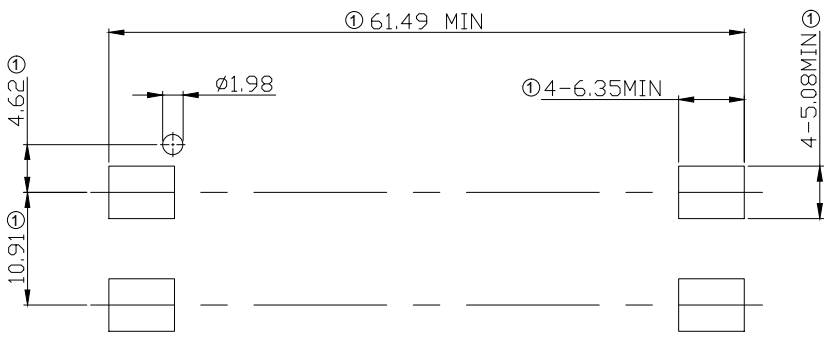
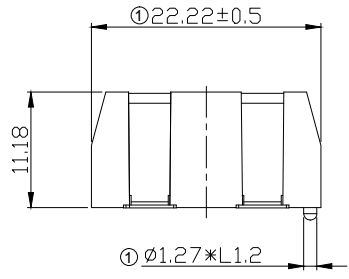
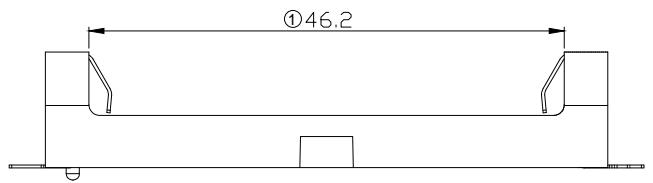
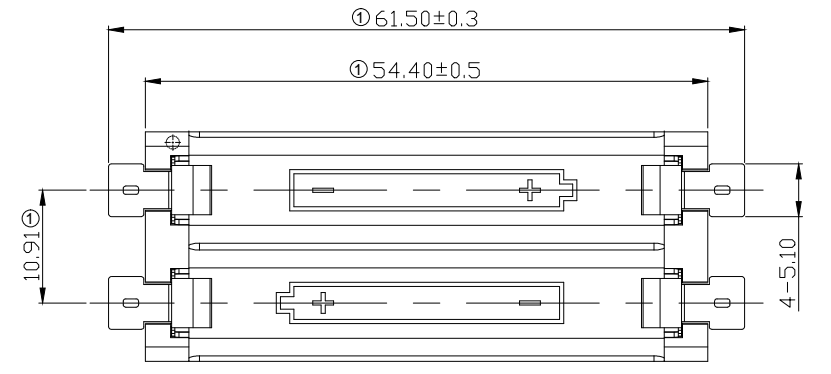
E

F

F

NOTE:

- ① 1.MATERIAL
 - 1.1 Base: Heat Resistance Nylon,Black
 - 1.2 Contact: Stainless Steel,T=0.30mm
- 2.FINISH
 - 2.1 Contact: Gold flash over Nickel
- 3.Packing: Tape & Reel



MOUNTING PAD LAYOUT

G

G

RoHS compliant
unit:mm

Scale	Free
TOLERANCE	
.X	±0.35
.X	±0.25
.XX	±0.20
.XXX	±0.15
DIM	TOL
Angle	TOL

			Date	Name	Description: Battery Holder Type: AAA / LR03	
			Drawn	29.11.2021		Peter
			Approved	11.07.2021	Peter	ASSMANN WSW-NO. A-BAT-BH-B2-DA-GSR1
①	Updated the dimension and notes	29.11.2021	Peter			
②	Drawn	29.11.2021	Peter			
Id.	modification	Date	Name			

Drawing-No. **ASS 9110 CO** rev01
Customer-No. SHEET 1 / 1

1

2

3

4

5

6

7