

NOTE:

1.MATERIAL

- 1.1 Housing: PPS,UL94V-0,Nature
- 1.1 Contact: C5191,Au or Tin over Nickel

2.Electric

- 2.1 Contact Resistance: 30 Milliohms Max.
- 2.2 Insulation Resistance: 1000 Mega Ohms Min.
- 2.3 Dielectric Voltage: 500 V AC One Sec Level
- 2.4 Operating Temperature: -30°C To +70°C

3.Packing: Tray Or Tape & Reel

① Order Code:A-BAT-CH-C1-EA-xSx1

- P:Tray
- R:Tape & Reel
- G:Gold Flash
- Z:Tin

PCB LAYOUT (TOP VIEW)

RoHS compliant
unit:mm

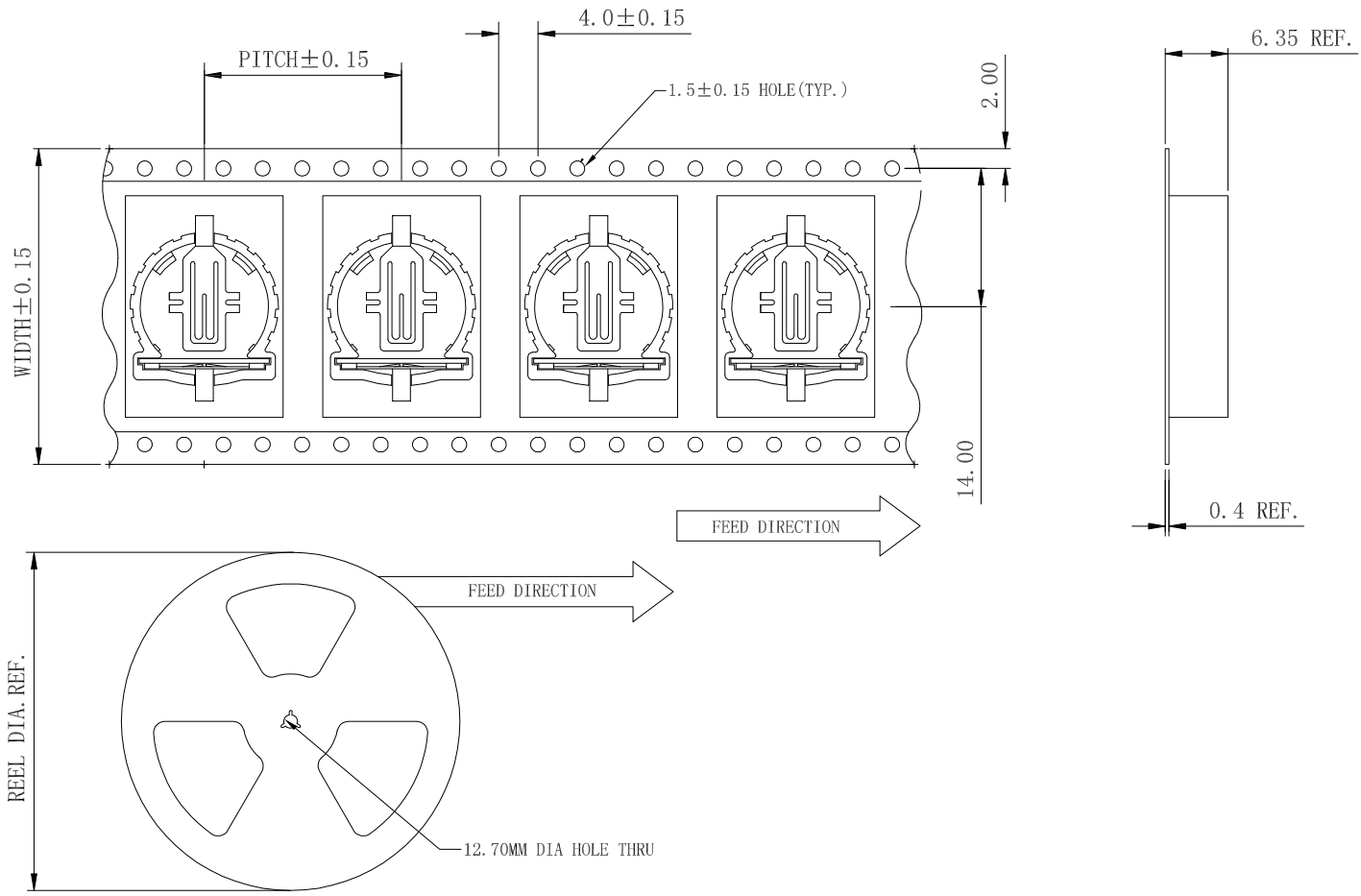
Scale	Free
TOLERANCE	
.X	±0.35
.X	±0.25
.XX	±0.20
.XXX	±0.15
DIM	TOL
Angle	TOL

①	Correct order code	17.10.2022	Winnie
②	Drawn	12.02.2021	Peter
ld.	modification	Date	Name

Drawn 12.02.2021 Peter

Approved 17.10.2022 Winnie

Description: Coin Cell Holders CR1220 Type	
ASSMANN WSW-NO. A-BAT-CH-C1-EA-xSx1	
Drawing-No. ASS 9141 CO	rev01
Customer-No.	SHEET 1 / 2



NOTE:
 1. Tape And Reel Specifications
 1.1 Tape: MAT'L-ALL Conductive Polystyrene Carrier
 ANSI/EIA-481 Standard 32.0 Wide, 20.0 Pitch
 1.2 Reel: 330.2 DIA, 500 Pieces Per Reel

RoHS compliant
 unit:mm

Scale	Free
TOLERANCE	
X.	±0.35
.X	±0.25
.XX	±0.20
.XXX	±0.15
DIM	TOL
Angle	TOL

①	Correct order code	17.10.2022	Winnie
②	Drawn	12.02.2021	Peter
ld.	modification	Date	Name

Drawn 12.02.2021 Peter
 Approved 17.10.2022 Winnie

ASSMANN
 WSW components

Description: Coin Cell Holders Packing Method	
ASSMANN WSW-NO. A-BAT-CH-C1-EA-xSx1	
Drawing-No. ASS 9141 CO	rev01
Customer-No.	SHEET 2 / 2