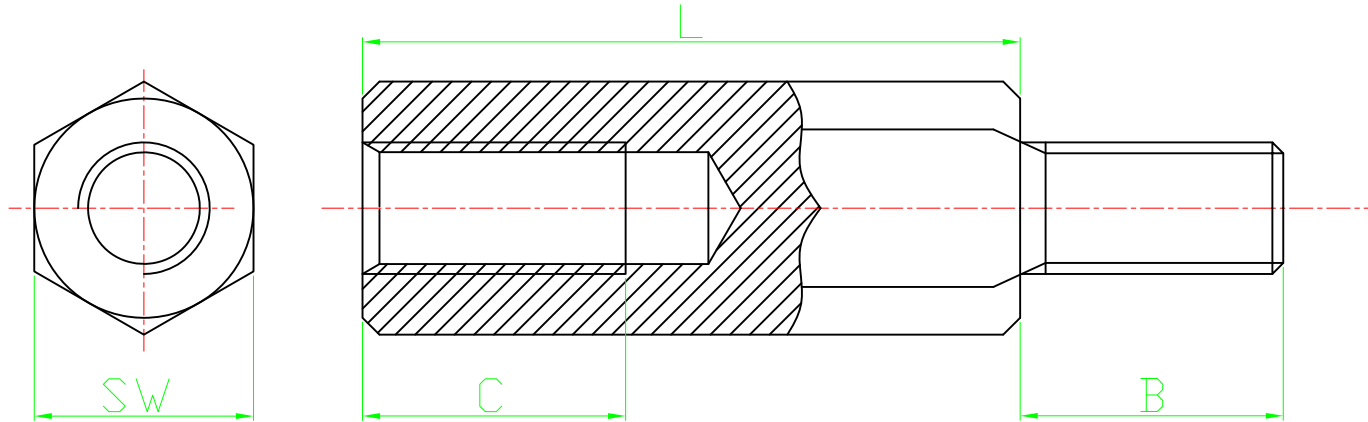



RoHS compliant



Width across flat(SW)10
Thread M6
PU=100 pcs

Option	Dimensions		
	L	B	C min
B	15	12	10
C	20	12	12
D	25	12	12
E	30	12	12
F	35	12	12
G	40	12	12

Scale	1:1					Date	Name	Customer-No.
TOLERANCE						Drawn	20.08.2009	Dean
X.	±X					Approved	10.03.2010	Andy
X.X	±X							
X.XX	±X							
DIM	TOL	②	Modify drawing layout	10.03.2010	Dean			
X.°	±X°	①	Drawn	20.08.2009	Dean			
X.X°	±X°	①						
Angle	TOL	Id.	Modification	Date	Name	Drawing-No.		
						ASS 0495 HS		rev02
						Replace		Sheet

V6605x



ASS 0495 HS

rev02

Replace

Sheet