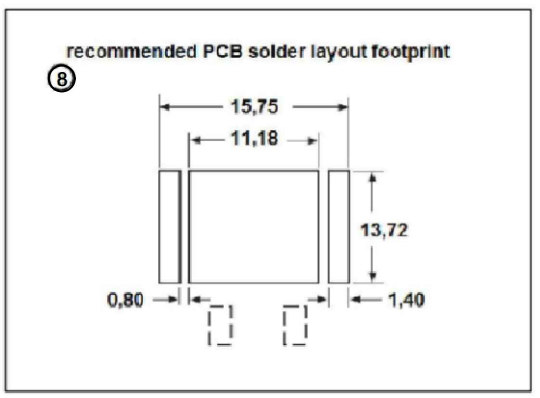
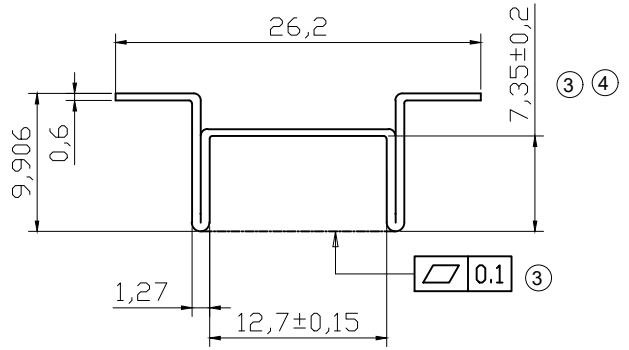
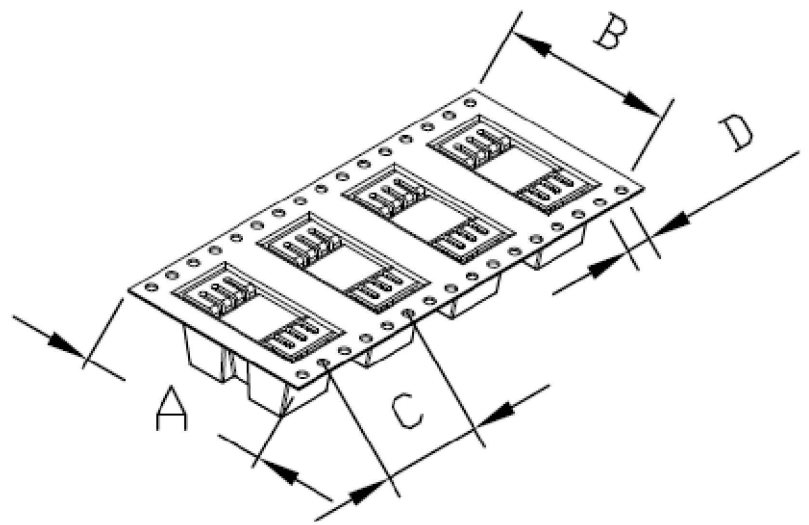
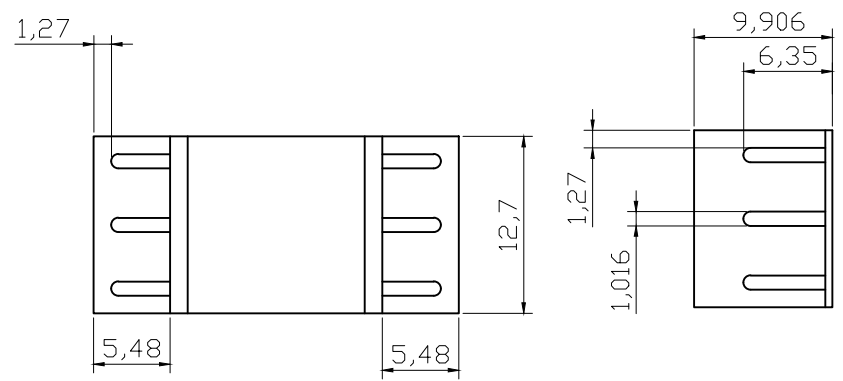


A
B
C
D
E
F
G
H

A
B
C
D
E
F
G
H



⑦ ③ Tape & Reel
1Reel = 300PCS

| | | | |
|------|-------|------|-----|
| A | B | C | D |
| 44,0 | 40,40 | 24,0 | 4,0 |

Tolerances: unless otherwise specified ±0,3
Material: Copper, 06mm thick
Finished: Tin plated

| Option | Packing ⑦ | Thermal resistance (K/W) |
|--------|--------------------------|--------------------------|
| - | Tape reel 300pcs/reel | 23 |
| L | Bulk ⑨ 400pcs/PE bag | 23 |

RoHS compliant
Unit: mm

| | | | | | | | | |
|-----|------------------------------------|------------|----------|--------------|------------|---------|--|-------------|
| ⑨ | Update the bulk packing quantity | 10.03.2025 | Segal | | Date | Name | Customer-No. | |
| ⑧ | add PCB soldering layout footprint | 10.04.2014 | Andy | Drawn | 19.06.02 | Hellwig | | |
| ⑦ | Update the packing quantities | 23.09.2013 | Amy | Approved | 10.03.2025 | Segal | | |
| ⑥ | Change production plant | 10.03.2010 | Alex | | | | ASSMANN WSW-No. V-1100-SMD/A x | |
| ⑤ | Modify drawing layout | 27.07.09 | N.Schulz | | | | | Drawing-No. |
| ④ | change dimension | 14.05.09 | N.Schulz | | | | ASSMANN WSW components | ASS 0518 HS |
| Id. | Modification | Date | Name | A company of | | | Replace | Sheet |