

1

2

3

4

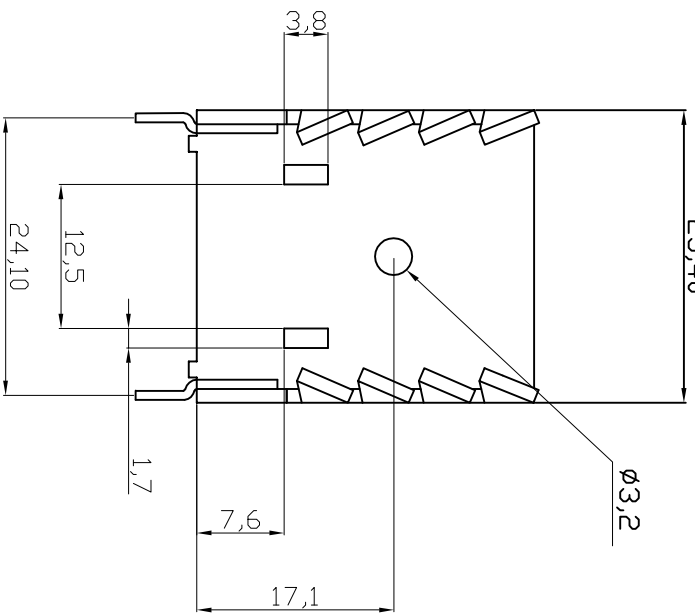
5

6

7

A

25,40



A

B

C

D

E

F

A

B

C

D

E

F

G

H

RoHS compliant

Unit: mm

1

2

3

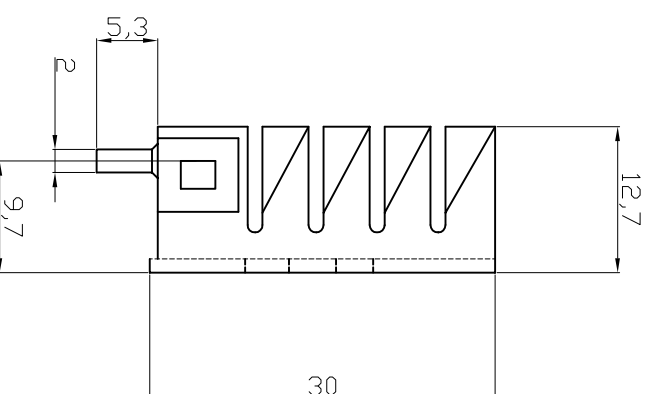
4

5

6

7

Scale	Free	Customer-No.		Drawing-No.	
TOLERANCE		Customer-No.	ASSMANN WSW-No.	ASSMANN WSW-No.	V8502A
		Date	05.06.2003	Name	Menk
		Name	Menk	Drawn	05.06.2003
Unit	±0,25	Date	11.08.2009	Name	Dean
DIM	TOL	Date	10.03.2010	Name	Alex
		Date	08.07.2016	Name	Amy
Angle		Date	08.07.2016	Name	Amy
TOL		Date	08.07.2016	Name	Amy
Id.		Date	08.07.2016	Name	Amy
①	Drawn	Date	08.07.2016	Name	Amy
②	Update	Date	08.07.2016	Name	Amy
③	Modify drawing layout	Date	08.07.2016	Name	Amy
④	Add note	Date	08.07.2016	Name	Amy



Notes
 Material : AL 1050 T=1.2MM
 Finished : Black Anodize
 ④ Suitable clip is V08HK

ASSMANN
 WSW components

ASSMANN WSW-No. V8502A
 Drawing-No. ASS 0537 HS
 rev04

Replace

Sheet