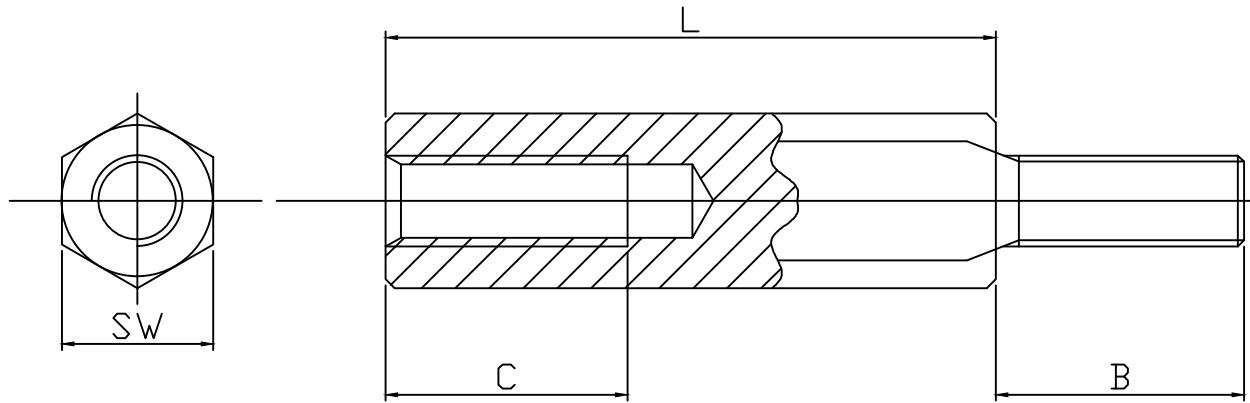



RoHS compliant



Width across flat(SW)5  
 Thread M3  
 Nickel plated  
 PU=100 pcs

Option	Dimensions		
	L	B	C min
A	5	8	2.5
B	8	8	5
C	10	8	6
D	12	8	8
E	15	8	8
F	18	8	8
G1	20	8	8
H	25	8	8
K	30	8	8
L	35	8	8
M	40	8	8
R	8	6	5

Scale	1:1					Date	Name	Customer-No.
TOLERANCE						Drawn	19.07.2005	Storb
X.	±X	④	Add version R	10.01.2011	Schulz	Approved	10.01.2011	Andy
X.X	±X	③	Modify drawing layout	10.03.2010	Dean			
X.XX	±X	②	Update	20.08.2009	Dean			
DIM	TOL	①	Drawn	19.07.2005	Storb			
X.°	±X°							
X.X°	±X°							
Angle	TOL	Id.	Modification	Date	Name	Replace		Sheet

ASSMANN WSW-No.		V6256x
Drawing-No.		
ASS 0590 HS	rev04	
Replace	Sheet	

