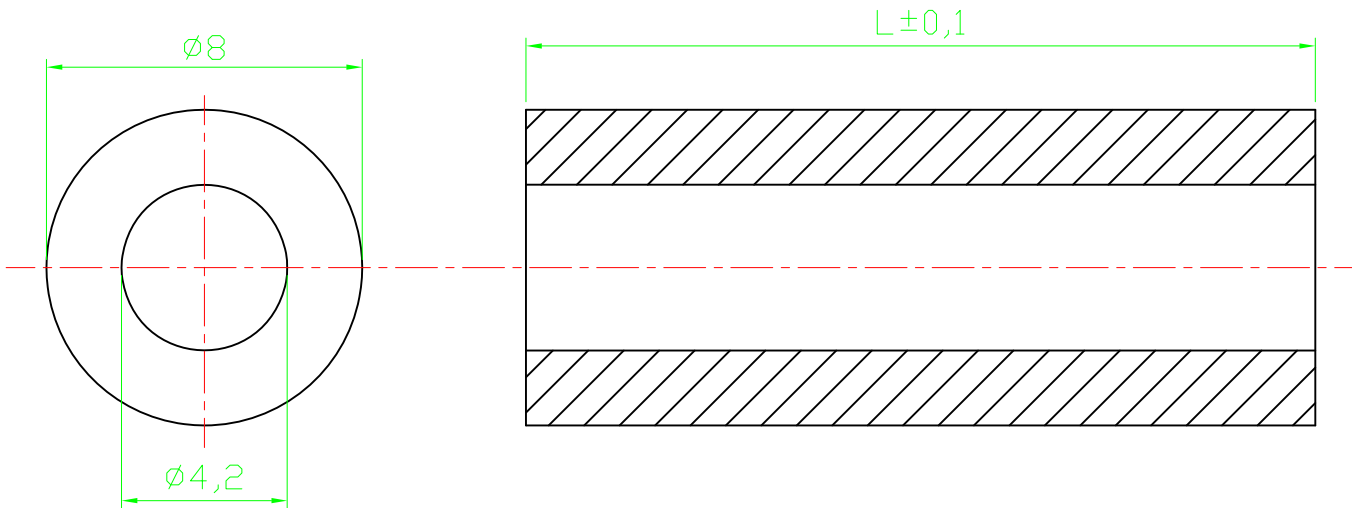


RoHS compliant



Diameter 8mm
drill diameter 4.2mm
PU=100 pcs

Option	Dimensions	
	L	
A	5	
B	10	
C	15	
D	20	
E	25	
F	30	
G	35	

Scale	1:1					Date	Name	Customer-No.
TOLERANCE						Drawn	12.09.2006	Storb
X.	±X					Approved	10.03.2010	Andy
X.X	±X							
X.XX	±X	③	Modify drawing layout	10.03.2010	Dean			
DIM	TOL	②	Update	20.08.2009	Dean			
X.°	±X°							
X.X°	±X°	①	Drawn	12.09.2006	Storb			
Angle	TOL	Id.	Modification	Date	Name	Replace		Sheet

ASSMANN WSW-No. **V5632xP/N**

Drawing-No. **ASS 0622 HS** rev03

