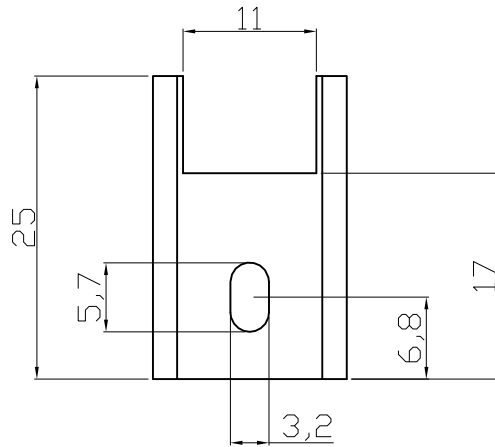
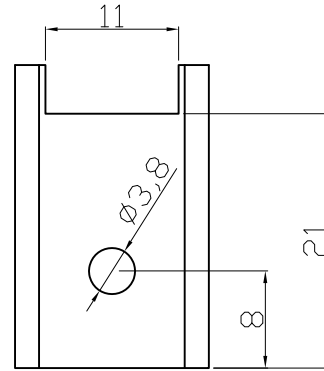


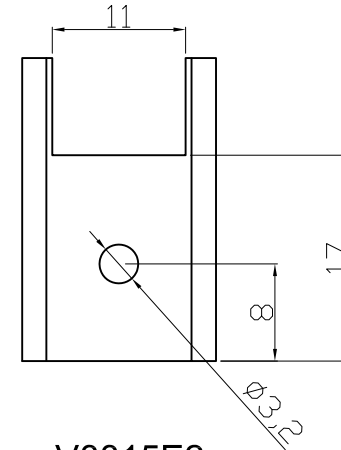
RoHS compliant



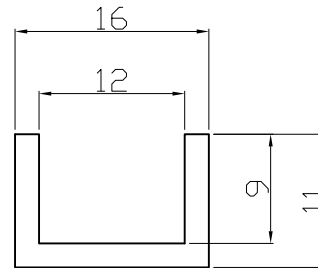
V8815E3



V8815E1



V8815E2



Material: AL 6063T-5  
Finished: BLACK ANODIZED

Scale	1:1						Date	Name	Customer-No.
TOLERANCE	±0.5					Drawn	11.06.2008	N.Schulz	ASSMANN WSW-No. <b>V8815-x</b>
						Approved	28.06.2010	Andy	
		②	Update	28.06.2010	Dean			Drawing-No.	ASS 0705 HS rev02
		①	Drawn	11.06.2008	N.Schulz			Replace	
		Id.	Modification	Date	Name				