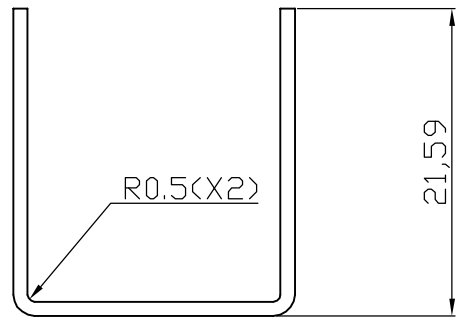
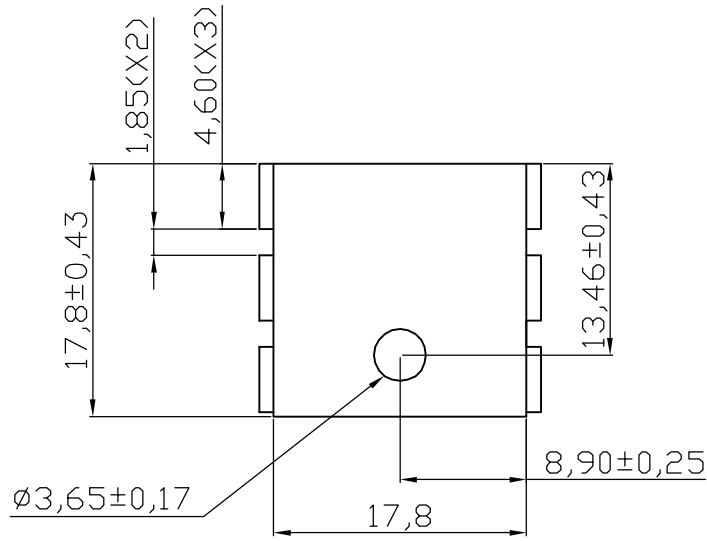



RoHS compliant



Notes
Material : AL 1100 T=1.0mm

No.	mm	Version	Thermal resistance(K/W)
V2005A		Clean finished	20
V2005B		Black Anodize	17

Scale	FREE	Date		Name		Customer-No.	
TOLERANCE		Drawn	11.08.2009	Dean		ASSMANN WSW-No. V2005x	
UNIT	± 0.25	Approved	16.05.2011	Andy			
		③ Update	16.05.2011	Schulz		Drawing-No.	
DIM	TOL	② Modify drawing layout	10.03.2010	Alex		ASS 0847 HS	rev03
X.°	$\pm X^\circ$	① Drawn	11.08.2009	Dean		Replace	Sheet
X.X°	$\pm X^\circ$						
Angle	TOL <td>Id.</td> <td>Modification</td> <td>Date</td> <td>Name</td> <td></td> <td></td>	Id.	Modification	Date	Name		

1

2

3

4

5

6

7

A

A

B

B

C

C

D

D

E

E

F

F

G

G

H

H

1

2

3

4

5

6

7