

1

2

3

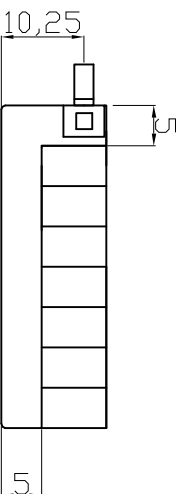
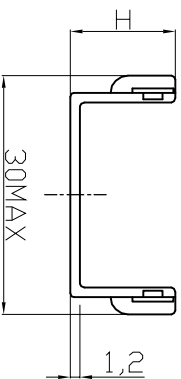
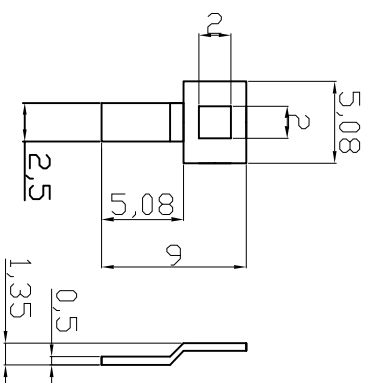
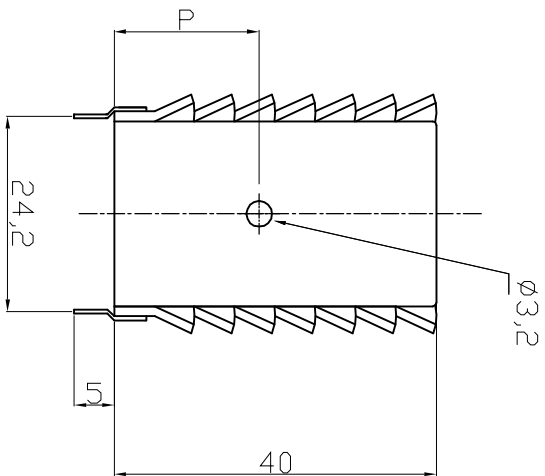
4

5

6

7

**RoHS compliant**



Notes  
Material : AL 1100 T=1.2mm  
Finished : Black Anodize

Option	H	P	Thermal resistance(KW)
V2004W	13	18	16
V2004X	19	18	13
V2004Y	25	18	11

Customer-No.

ASSMANN WSW-No.

V2004X

Drawing-No.

ASS 0851 HS

rev02

Replace

Sheet

Scale

FREE

TOLERANCE

UNIT

.X

.XX

DIM

X.°

X.X°

Angle

FREE

±0.5

±0.2

±0.1

TOL

±X°

±X°

TOL

Id.

Modification

Date

11.08.2009

Name

Dean

Date

10.03.2010

Name

Alex

Date

11.08.2009

Name

Dean

Date

10.03.2010

Name

Andy

**ASSMANN**  
WSW/ components

1

2

3

4

5

6

7

H

G

F

E

D

C

B

A

H

G

F

E

D

C

B

A