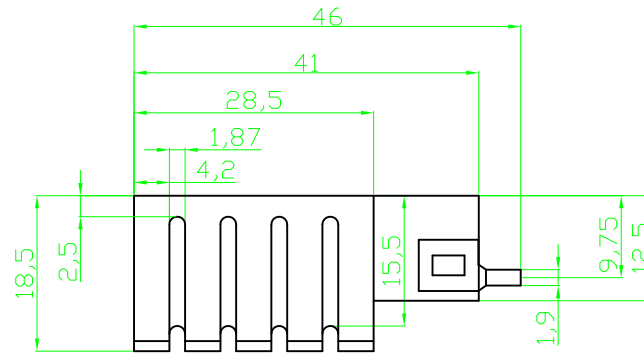
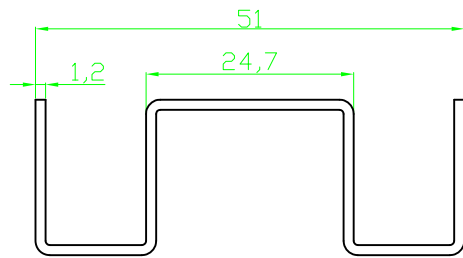
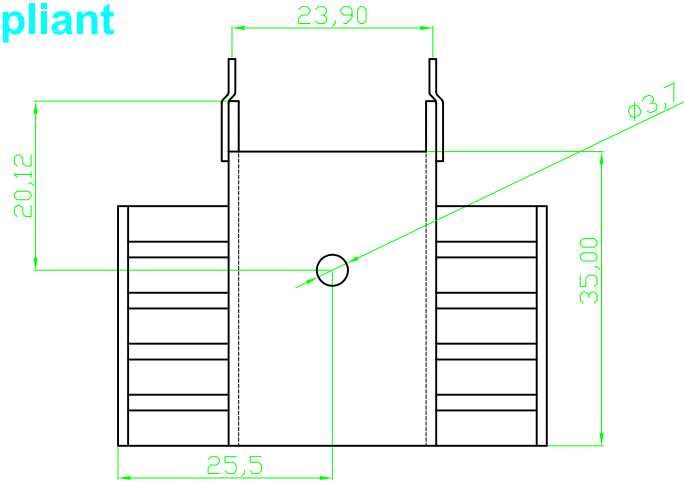


RoHS compliant



Notes  
 Material : AL 1100 T=1.2MM  
 PIN :C.R.S TT=0.8MM, Tin Plated  
 Finished : Black Anodize

Scale	FREE					Date	Name	Customer-No.	
TOLERANCE					Drawn	11.08.2009	Dean		
UNIT	±0.3				Approved	10.03.2010	Andy	ASSMANN WSW-No.	
								V2009B	
DIM	TOL							Drawing-No.	
X.°	±X°	②	Modify drawing layout	10.03.2010	Alex			ASS 0852 HS	rev02
X.X°	±X°	①	Drawn	11.08.2009	Dean			Replace	Sheet
Angle	TOL	Id.	Modification	Date	Name				

1

2

3

4

5

6

7