

1

2

3

4

5

6

7

A

A

B

B

C

C

D

D

E

E

F

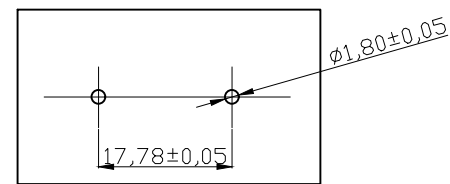
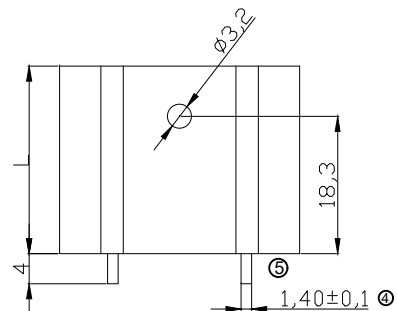
F

G

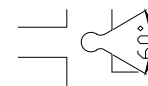
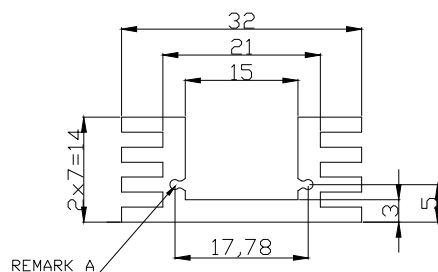
G

H

H



④ Recommended PCB Layout

REMARK A
2 : 1

Notes
Material : AL6063-T5
Finished : Black Anodized
UNSPECIFIED R=0.3MM

Option	L	Thermal resistance(K/W)
V5229W	25	12.5
V5229X	37.5	10
V5229Y	50	8.5

Scale Free

TOLERANCE

X. ±X

X.X ±X

UNIT ±0.2

DIM TOL

X.° ±X°

X.X° ±X°

Angle TOL

Id.

Modification

Date

Name

Date

Name

Description: Extrusion Heat Sink, 32x14mm,
Black anodized with solder pins

ASSMANN WSW-No.

V5229x

Drawing-No.

ASS 0871 HS

rev05

Customer-No.

SHEET
1 / 1

RoHS compliant

Unit:mm

ASSMANN
WSW components
A company of **BCS**

1

2

3

4

5

6

7