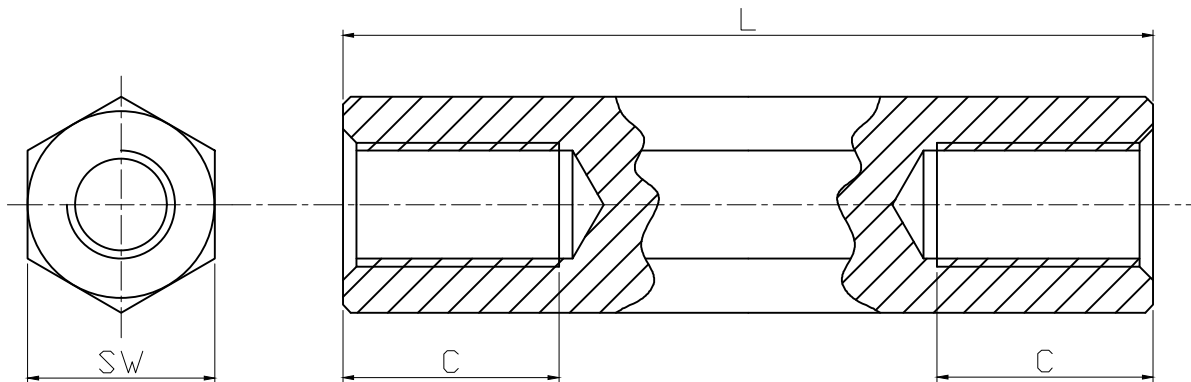



RoHS compliant



Width across flat(SW)7 ;
Thread M4
nickel plated
PU=100 pcs

Option	Dimensions	
	L	C min
V5635B	8	8
V5635C	10	10
V5635D	12	12
V5635E	15	15
V5635F	18	18
V5635G	20	20
V5635H	25	8
V5635K	30	8
V5635L	35	8
V5635M	40	8
V5635N	50	8

Scale	1:1					Date	Name	Customer-No.
TOLERANCE						Drawn	20.08.2009	Dean
X.	±X					Approved	10.03.2010	Andy
X.X	±X							
X.XX	±X							
DIM	TOL	②	Modify drawing layout	10.03.2010	Dean			
X.°	±X°	①	Drawn	20.08.2009	Dean			
X.X°	±X°					Drawing-No.		ASS 0906 HS
Angle	TOL	Id.	Modification	Date	Name	Replace		rev02
								Sheet

ASSMANN WSW-No. **V5635x**

ASS 0906 HS rev02

Replace Sheet