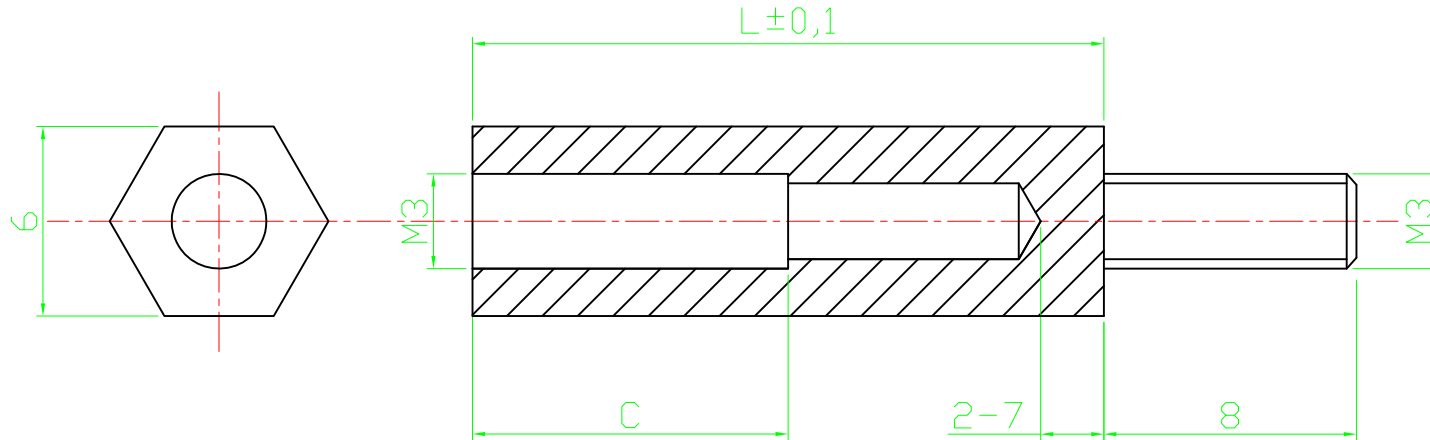


RoHS compliant



Width across flat 6
Internal-/male thread M3
PU=100 pcs

| Option | Dimensions | |
|--------|------------|------|
| | L | Cmin |
| H | 6 | 4 |
| I | 8 | 6 |
| A | 10 | 8 |
| K | 12 | 10 |
| B | 15 | 10 |
| L | 18 | 10 |
| C | 20 | 10 |
| D | 25 | 10 |
| E | 30 | 10 |
| F | 35 | 10 |
| G | 40 | 10 |

| | | | | | | | | |
|-----------|-----|-----|----------------|------------|----------|----------------------------------|--------------------|----------------------------------|
| Scale | 1:1 | | | | | Date | Name | Customer-No. |
| TOLERANCE | | | | | Drawn | 20.08.2009 | Dean | ASSMANN WSW-No. V7701x |
| X. | ±X | | | | Approved | 10.03.2010 | Andy | |
| X.X | ±X | | | | | | | |
| X.XX | ±X | | | | | | | Drawing-No. |
| DIM | TOL | ② | Modify drawing | 10.03.2010 | Dean | ASSMANN WSW components | ASS 0908 HS | rev02 |
| X.° | ±X° | ① | Drawn | 20.08.2009 | Dean | | Replace | Sheet |
| X.X° | ±X° | ① | Drawn | 20.08.2009 | Dean | | | |
| Angle | TOL | Id. | Modification | Date | Name | | | |