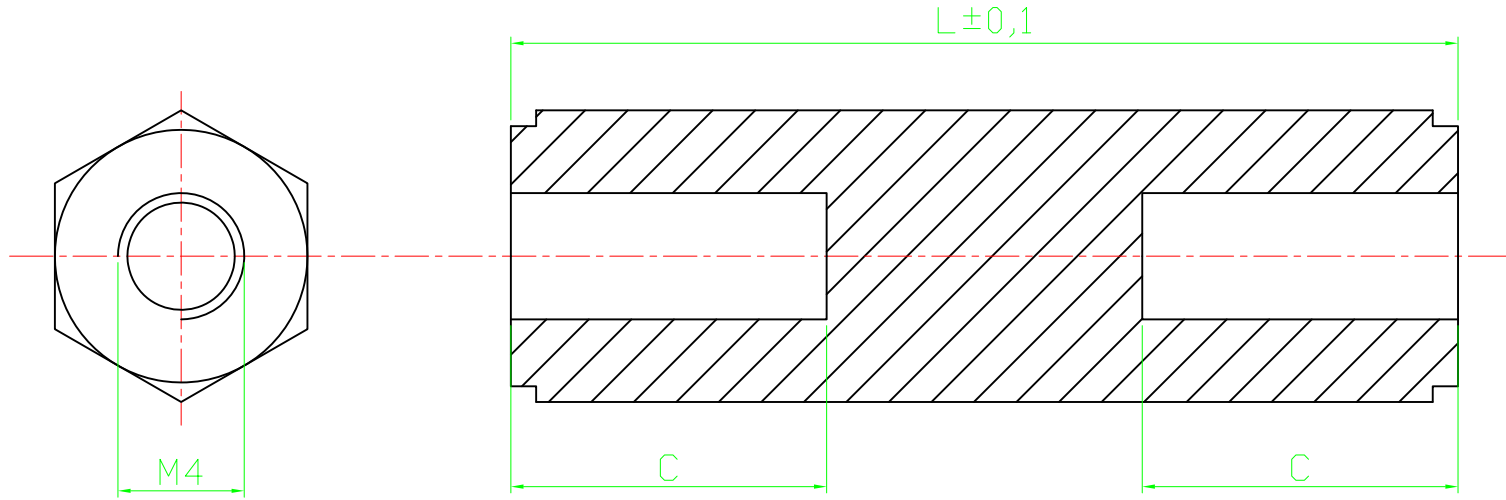


RoHS compliant



Width across flat 8
Internal thread M4
PU=100 pcs

| Option | Dimensions | |
|--------|------------|----|
| | L | C |
| A | 10 | 10 |
| I | 12 | 12 |
| B | 15 | 15 |
| C | 18 | 18 |
| D | 20 | 20 |
| E | 25 | 10 |
| F | 30 | 10 |
| G | 35 | 10 |
| H | 40 | 10 |

| | | | | | | | | | |
|-----------|-----|-----|-----------------------|------------|----------|------------|------|----------------------------------|-------|
| Scale | 1:1 | | | | | Date | Name | Customer-No. | |
| TOLERANCE | | | | | Drawn | 20.08.2009 | Dean | ASSMANN WSW-No. V7572x | |
| X. | ±X | | | | Approved | 10.03.2010 | Andy | | |
| X.X | ±X | | | | | | | | |
| X.XX | ±X | | | | | | | | |
| DIM | TOL | ② | Modify drawing layout | 10.03.2010 | Dean | | | Drawing-No. | |
| X.° | ±X° | ① | Drawn | 20.08.2009 | Dean | | | ASS 0910 HS | rev02 |
| X.X° | ±X° | ① | Drawn | 20.08.2009 | Dean | | | Replace | Sheet |
| Angle | TOL | Id. | Modification | Date | Name | | | | |

