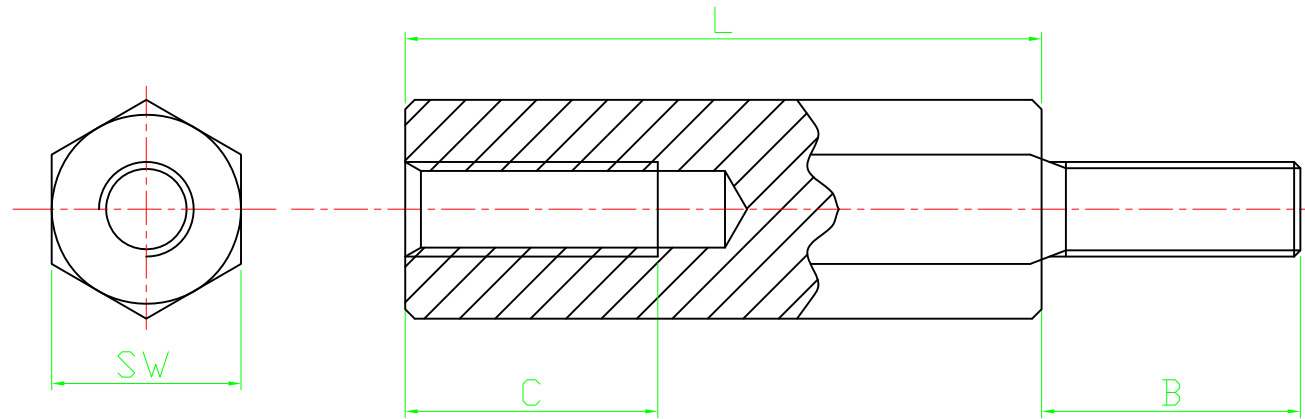



RoHS compliant



Width across flat(SW)6  
Thread M3  
PU=100 pcs

Option	Dimensions		
	L	B	C min
A	10	6	6
B	15	6	6
C	20	6	6
D	25	6	6
E	30	6	6
F	35	6	6
G	40	6	6

Scale	1:1					Date	Name	Customer-No.	
TOLERANCE					Drawn	20.08.2009	Dean	ASSMANN WSW-No. <b>V5737x</b>	
X.	±X				Approved	10.03.2010	Andy		
X.X	±X								
X.XX	±X								
DIM	TOL	②	Modify drawing layout	10.03.2010	Dean			Drawing-No.	
X.°	±X°	①	Drawn	20.08.2009	Dean			ASS 0913 HS	rev02
X.X°	±X°							Replace	Sheet
Angle	TOL	Id.	Modification	Date	Name				

