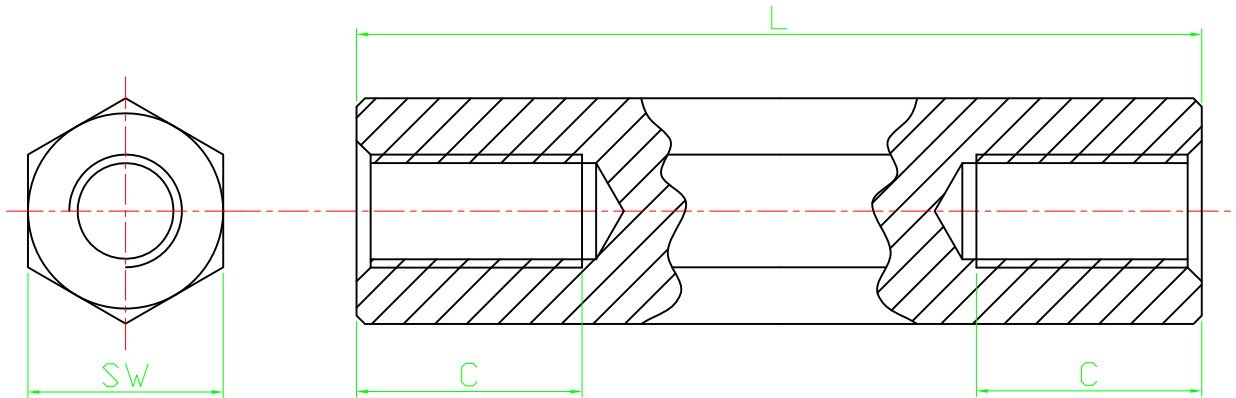


RoHS compliant



Width across flat(SW)8
Thread M5
PU=100 pcs

Option	Dimensions	
	L	C min
A	15	15
B	20	20
C	25	25
D	30	8
E	35	8
F	40	8

Scale	1:1					Date	Name	Customer-No.
TOLERANCE						Drawn	20.08.2009	Dean
X.	±X					Approved	10.03.2010	Andy
X.X	±X							
X.XX	±X							
DIM	TOL	②	Modify drawing layout	10.03.2010	Dean			
X.°	±X°	①	Drawn	20.08.2009	Dean			
X.X°	±X°	①	Drawn	20.08.2009	Dean			
Angle	TOL	Id.	Modification	Date	Name	Drawing-No.		

ASSMANN WSW-No.		V5734x
Drawing-No.		ASS 0914 HS
Replace	rev02	
		Sheet

1

2

3

4

5

6

7