

1

2

3

4

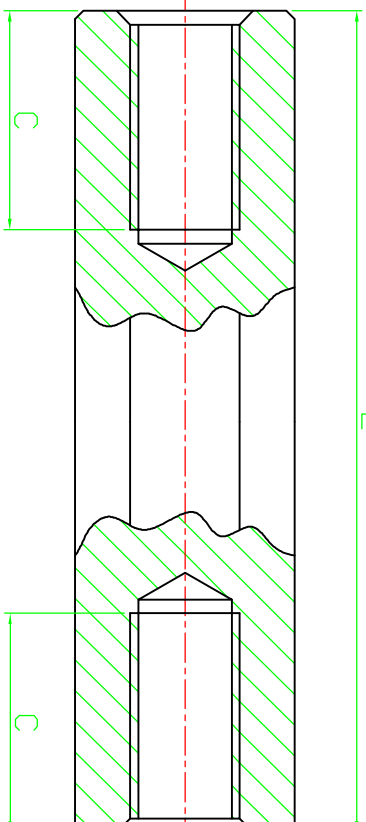
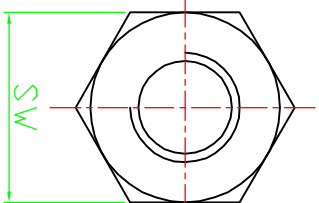
5

6

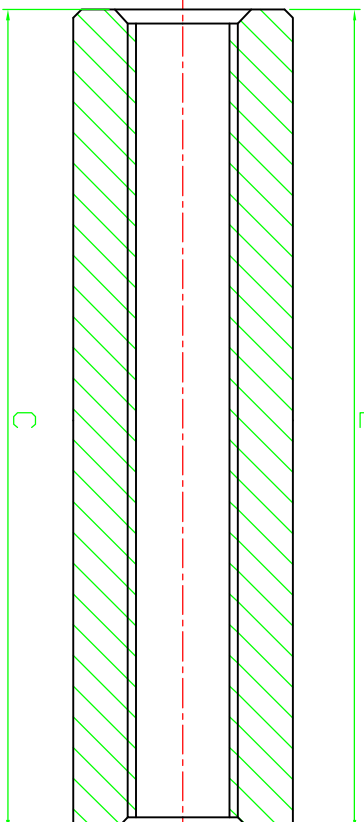
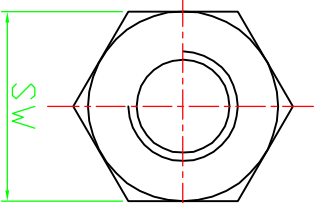
7

RoHS compliant

for part: D;H;E;F;G



for part: A;B;C;O



Width across flat(SW)6
Thread M3
PU=100 pcs

Option	Dimensions	
	L	C min
A	10	10
B	15	15
C	20	20
D	25	6
H	28	6
E	30	6
F	35	6
G	40	6
O	13	13

A

B

C

D

E

F

G

H

1

2

3

4

5

6

7

Scale 1:1

TOLERANCE

X. ±X

X.X ±X

X.XX ±X

DIM TOL

X. ° ±X°

X.X° ±X°

Angle TOL

①

②

③

Id.

Modification

Date

Name

Date

Name

Drawn 20.08.2009 Dean

Approved 30.11.2010 Andy

update 30.11.2010 Schulz

Modify drawing layout 10.03.2010 Dean

Drawn 20.08.2009 Dean

Id.

Modification

Date

Name

ASSMANN
VWSW/ components

Customer-No.

ASSMANN WSW-No.

V6259X

Drawing-No.

ASS 0915 HS

rev03

Replace

Sheet

A

B

C

D

E

F

G

H