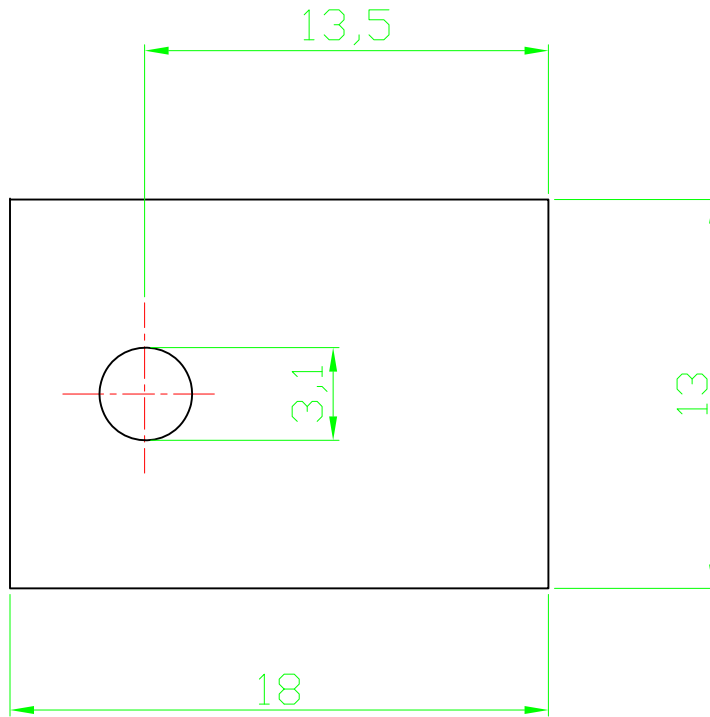


RoHS compliant




Notes

Features

1. Extremely low thermal resistance=0.30°C/W to 0.35°C/W
2. Glass-fiber reinforced
3. Very much flexible
4. Not flammable according UL94V-0
5. Clean, fast processing
6. Thermal compound not necessary

Material thickness : 0.2mm±0.05
 Material : Silicon, glass-fiber reinforced
 Color : dark-red
 Tensile strength : 25.9 Mpa
 Ultimate tensile strength : 70 kN/m
 Specific volum resistance : 1.8x10¹²Ωm
 Dielectric strength : Voltage ramp: 5kV
 : Voltage steps: 2kV
 Thermal conductivity : 1.9W/m x K
 Temperature range : -60°C to +200°C

Option	Version
V8612	TO-220
V8612AV	TO-220 self adhesive

Scale	1:1						Date	Name	Customer-No.
TOLERANCE						Drawn	20.08.2009	Dean	
X.	±X					Approved	10.03.2010	Andy	
X.X	±X								
X.XX	±X								
DIM	TOL	②	Modify drawing layout	10.03.2010	Alex				
X.°	±X°								
X.X°	±X°	①	Drawn	20.08.2009	Dean				
Angle	TOL	Id.	Modification	Date	Name				

ASSMANN WSW-No.		V8612x
Drawing-No.	ASS 0928 HS	rev02
Replace	Sheet	

1

2

3

4

5

6

7

A

A

B

B

C

C

D

D

E

E

F

F

G

G

H

H

1

2

3

4

5

6

7