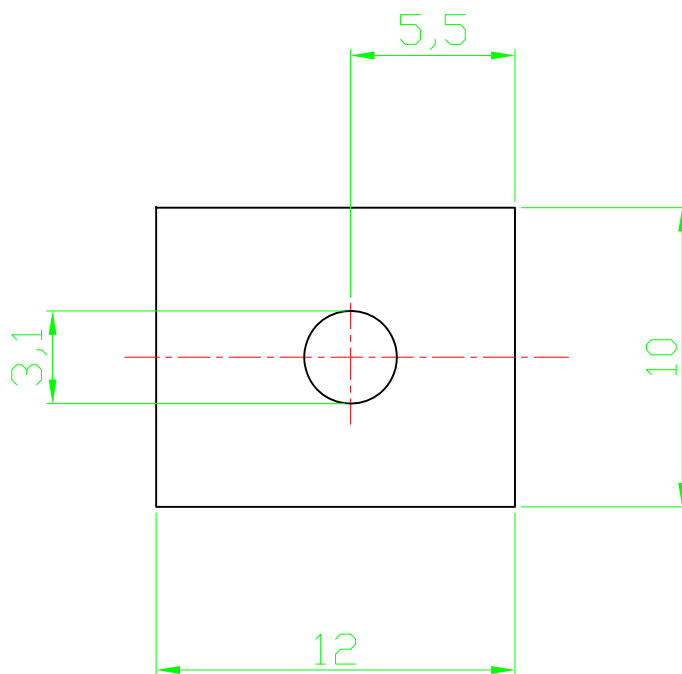


RoHS compliant



Notes

Features

1. Extremely low thermal resistance=0.30°C/W to 0.35°C/W
2. Glass-fiber reinforced
3. Very much flexible
4. Not flammable according UL94V-0
5. Clean, fast processing
6. Thermal compound not necessary

Material thickness :0.2mm±0.05

Material :Silicon,glass-fiber reinforced

Color : dark-red

Tensile strength : 25.9 Mpa

Ultimate tensile strength :70 kN/m

Specific volum resistance :1.8x10<sup>12</sup>Ωm


Dielectric strength : Voltage ramp: 5kV

Voltage steps: 2kV

Thermal conductivity :1.9W/m x K

Temperature range : -60°C to +200°C

Option	Version
V8632	TO-126/SOT-32
V8632AV	TO-126/SOT-32 self adhesive

Scale	1:1					Date	Name	Customer-No.
TOLERANCE						Drawn	20.08.2009	Dean
X.	±X					Approved	10.03.2010	Andy
X.X	±X							
X.XX	±X							
DIM	TOL	②	Modify drawing layout	10.03.2010	Alex			
X.°	±X°							
X.X°	±X°	①	Drawn	20.08.2009	Dean			
Angle	TOL	Id.	Modification	Date	Name	Replace		Sheet

Customer-No.	
ASSMANN WSW-No. <b>V8632x</b>	
Drawing-No.	rev02
<b>ASS 0930 HS</b>	
Replace	Sheet

