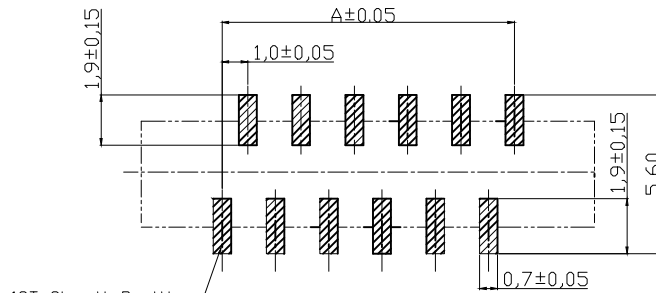


A = 1.00x No. of Spaces
 B = A + 7.2
 C = A + 2.1
 *Available in 4 through 32 circuits



Recommended PCB Layout

NOTES:

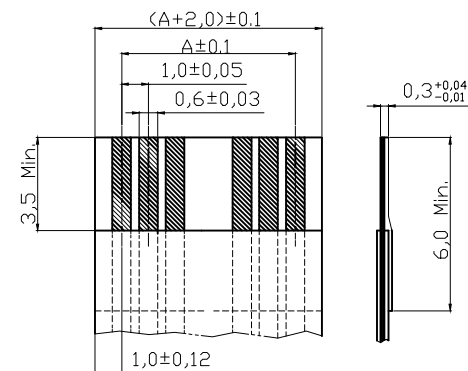
- 1.Body :Nylon 6T UL94V-0 Color Nature
- 2.Slider : Nylon 6T UL 94V-0, Color Brown
- 3.Contact : Phosphor Bronze
- 4.PAD : Nylon 6T UL94V-0, Color Nature
- 5.Plating : Matte Tin plated over Nickel
- 6.Contact type: SMT Type

⑤ ELECTRICAL CHARACTERISTICS:

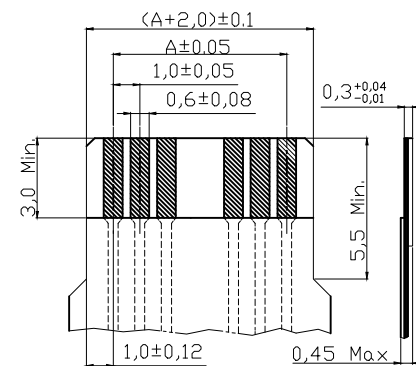
- 1.Rated current: 0.5A Max
- 2.Rated voltage: 100V AC Max
- 3.Dielectric withstanding voltage: 500V AC 1 minute
- 4.Contact resistance: 30mΩ Max
- 5.Temperature range: -40°C to +105°C
- 6.Recommended IR Reflow temperature:
 Using typical solder paste: Maximum soldering temperature 230°C for 10s Max
 Using lead-free solder paste: Maximum soldering temperature 260°C for 20s Max

AFFC10-xx-100-SVS-x

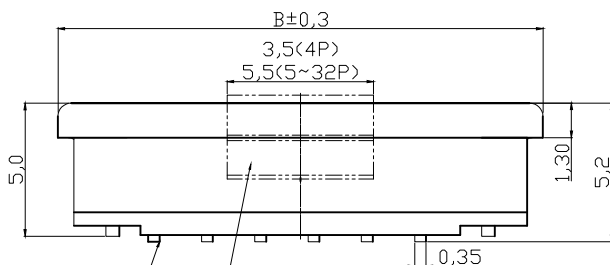
Packing:
 R= Tape & Reel
 T= Tube



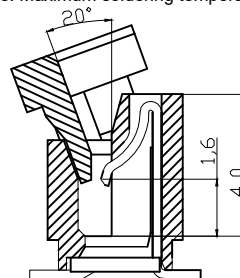
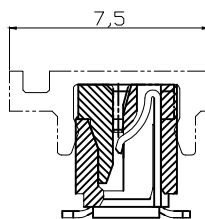
Accommodated FFC



Accommodated FPC



1st Circuit Position Pick & Place Pad



RoHS compliant
 Unit: mm



④ File No.: E198287

Scale	Free					Date	Name	Customer-No.
TOLERANCE		⑤	Add the notes	09.10.2024	Segal	Drawn	03.11.2006	Hellwig
.X	±0.15	④	Add UL No.	13.06.2016	Amy	Approved	09.10.2024	Segal
.XX	±0.10	③	Correct the reel material to corrugated	12.08.2014	Winnie			
.XXX	±0.05	②	Update	03.08.2009	Dean			
DIM	TOL	①	Drawn	03.11.2006	Hellwig			
X.°	±1°	Id.	Modification	Date	Name	ASSMANN WSW components A company of BS		
X.X°	±X°							
Angle	TOL							

Customer-No.		
ASSMANN WSW-No.		AFFC10-xx-100-SVS-x
Drawing-No.		ASS 2097 CO
Replace		rev05
		SHEET 1/2

1

2

3

4

5

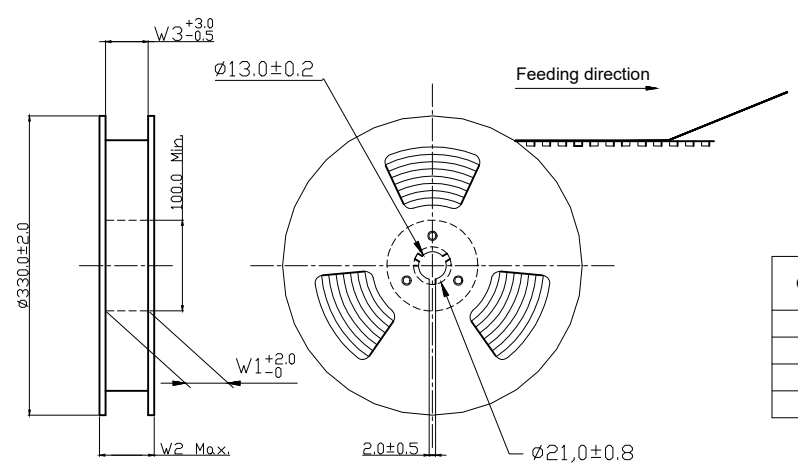
6

7

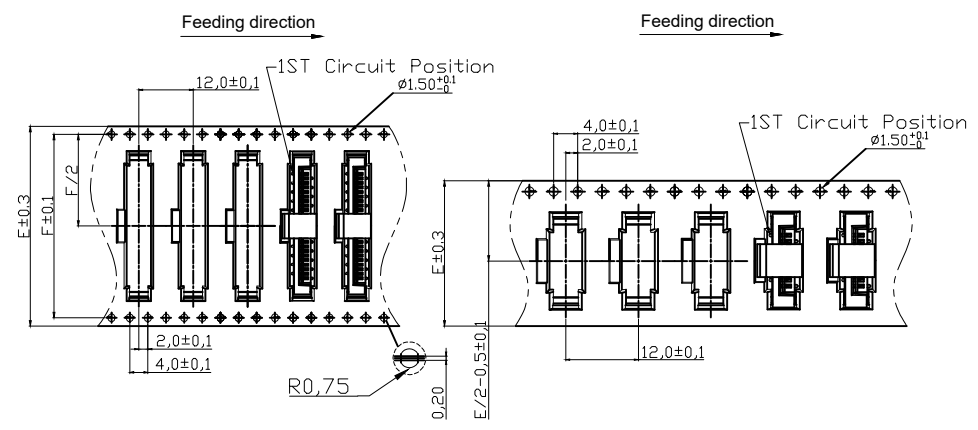
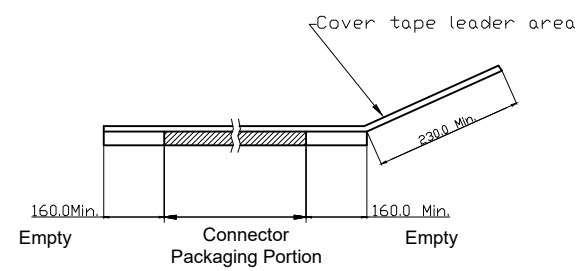
A
B
C
D
E
F
G
H

NOTES:

- ①. Reel Material: Corrugated Paper
- 2. Carrier Material : Clear, Conductive Polystyrene Alloy
- 3. Cover Tape Material: Polyester
- 4. Cover Tape Peel Strength: 0.1N-1.3N
- 5. Carrier camber is within 1mm in 250mm
- 6. All dimensions meet EIA-481-B requirements
- 7. Quantity: 800 PCS/Reel



Circuits	Dimension					Packing (Reel/Caton)
	E	F	W1	W2	W3	
4-10	24.0	-	24.5	30.5	24.5	9
11-15	32.0	28.40	32.5	38.5	32.5	7
16-26	44.0	40.40	44.5	50.5	44.5	5
27-32	56.0	52.40	56.5	62.5	56.5	3



RoHS compliant
Unit: mm



File No.: E198287

Scale	Free					Date	Name	Customer-No.
TOLERANCE		⑤	Add the notes	09.10.2024	Segal	Drawn	03.11.2006	Hellwig
.X	±X	④	Add UL No.	13.06.2016	Amy	Approved	09.10.2024	Segal
.XX	±X	③	Correct the reel material to corrugated	12.08.2014	Winnie			
.XXX	±X	②	Update	03.08.2009	Dean			
DIM	TOL	①	Drawn	03.11.2006	Hellwig			
X.°	±1°							
X.X°	±X°							
Angle	TOL	Id.	Modification	Date	Name			



ASSMANN WSW-No. AFFC10-xx-100-SVS-x	
Drawing-No. ASS 2097 CO	rev05
Replace	SHEET 2 / 2