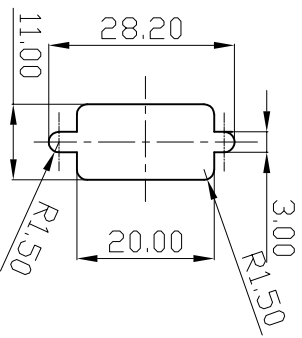
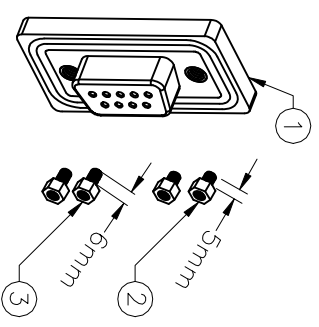
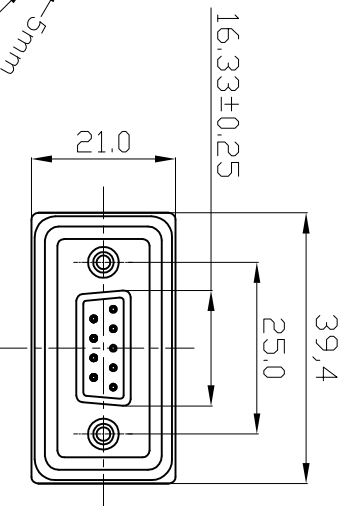
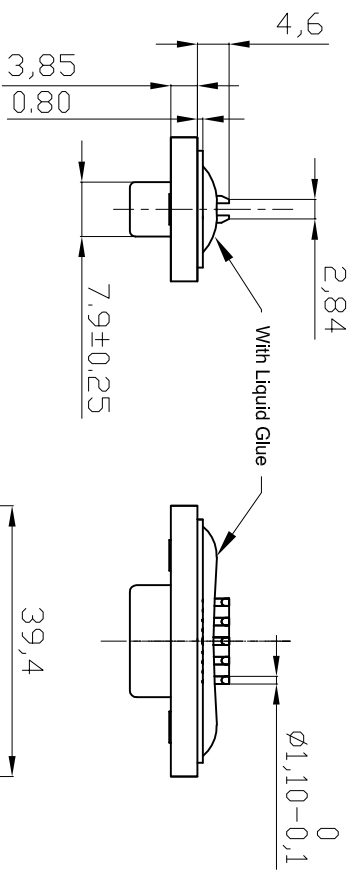


Panel Thickness
 Screw L=5.0 For Panel Thickness Under 1.2mm
 Screw L=6.0 For Panel Thickness Between 1.2-2.0mm



Recommended Panel Cut-Out



- MATERIAL**
1. Insulator Material: Black, NYLON+G/F
 2. Contact Material : Copper Alloy
 3. Plating : Gold Plating
 4. Waterproof Rate: IP67
 5. Applicable Wire Range: 22AWG-26AWG
 6. Do Mating Test After Glued

NOTES:

ROHS compliant
 Unit: mm

| Scale | Free | | | | | | |
|-----------|-------|---|--------------|--|----------|------------|--------|
| TOLERANCE | | | | | | | |
| X.X | ±0.25 | | | | Drawn | 18.12.2008 | JACK |
| X.XX | ±0.10 | | | | Approved | 23.01.2018 | Amy |
| X.XXX | ±0.05 | ③ | Cancel LOGO | | | | |
| DIM | TOL | ② | Update | | | 13.08.2015 | Joanna |
| ANGLE | ±1° | ① | Drawn | | | 18.12.2008 | JACK |
| X.X° | ±X° | | | | | | |
| Angle | TOL | | Modification | | | | |



| | |
|-----------------|---------------|
| Customer-No. | |
| ASSMANN WSW-No. | A-DF 09 LL-WP |
| Drawing-No. | ASS 3228 CO |
| Replace | rev03 |

| | | | | | | |
|---|---|---|---|---|---|---|
| 1 | 2 | 3 | 4 | 5 | 6 | 7 |
| H | G | F | E | D | C | B |