

1

2

3

4

5

6

7

A

A

B

B

C

C

D

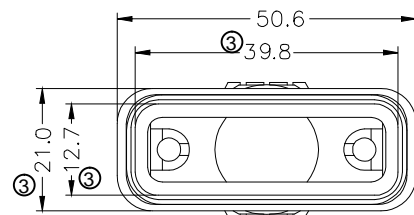
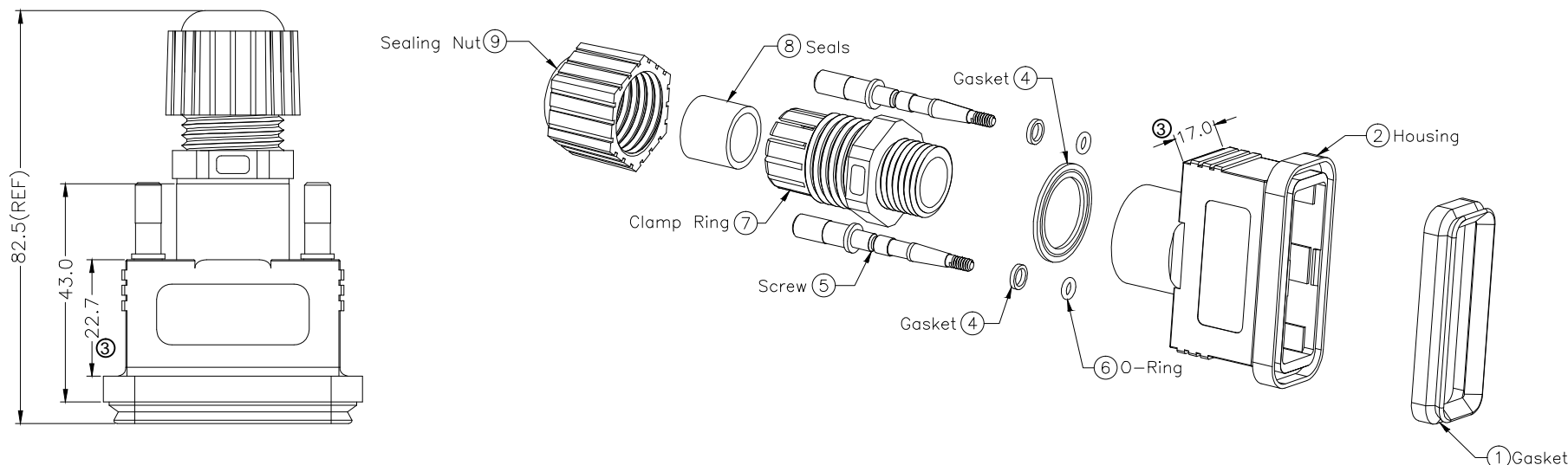
D

E

E

F

F

**NOTES:**

1. Waterproof rate: IP67
2. Gasket: EPDM Black UL94V-0 ④
3. Housing: ABS Black UL94V-0 ④
4. Screw 4#-40UNC: Brass ⑤
5. O-ring: Silicone Clear UL94V-0 ④
6. Body: Nylon Black UL94V-0 ④
7. Sealing Nut: Nylon Black UL94V-0 ④
8. Seals for Cable OD: $\phi 6.0\text{mm}-\phi 10.0\text{mm}$
9. One Set Unassembled in One Zipper Bag(#4)

G

G

RoHS compliant

Unit: mm

Scale Free

TOLERANCE

UNIT ± 0.5

DIM TOL

Angle TOL

⑤

Add the thread specifications

18.04.2024

Peter

Drawn

Date

Name

Customer-No.

④

Add notes

03.04.2018

Segal

Approved

18.04.2024

Peter

ASSMANN WSW-No.

A-HOOD-15/26

③

Correct dimensions

27.07.2017

Amy

H

H

②

Modify drawing

25.12.2009

Dean

①

Drawn

08.01.2009

JACK

ASSMANN
 WSW components
 A company of BCS

Drawing-No.

ASS 3304 CO

rev05

Replace

Sheet

1

2

3

4

5

6

7