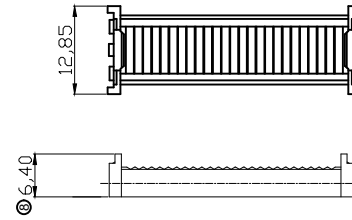
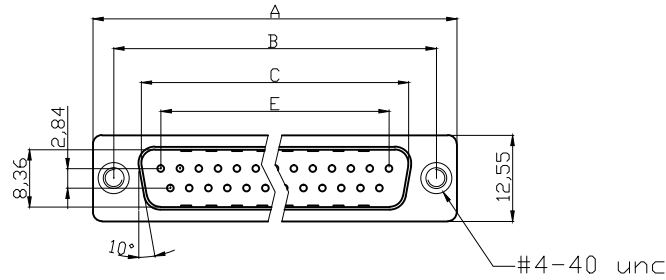
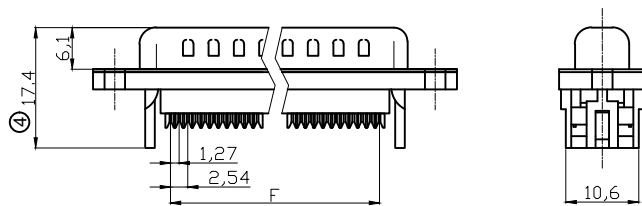


Male

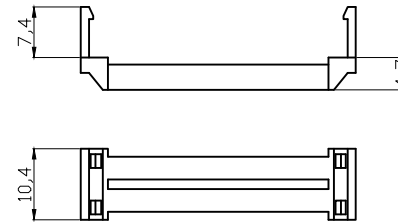


Cover

Product Specification
Material
 Insulator : Glass-Filled Thermoplastic PBT, UL94V-0, Black
 Contact : Copper alloy , plating gold flash selective gold
 Shell : Steel, 100u" Tin Over 50u" min Copper
 Clinch Nut : Brass, Nickel Plated
Electrical
 Contact Resistance : 20 milliohms Max at 1 AMP DC.
 Insulation Resistance : 1000 magohms at 500 VDC
 Dielectric Withstanding Voltage : 1000 VAC/rms 60Hz for 1 minute
 Current Rating : 3 AMP
 Volatge Rating : 250 VAC/rms 60Hz
 ③ Wire Spec : 26AWG-28 AWG
 ⑦ Operating Temperature: -55°C ~ +105°C
 ⑥ UL E No #E198287
Order Code:
 A-DxF xx LPIII/Z-UNC
 Contact Type
 F - Female
 S - Male
 UNC - UNC 4-40 thread
 Standard: Quality class III
 No.of Contact
 09 / 15 / 25 / 37



With Insulator Support



Strain Relief

Dimensions

Positions	A	B	C	E	F
9	30.81	24.99	16.92	11.08	13.10
15	39.20	33.30	25.25	19.39	20.70
25	53.04	47.04	38.96	33.24	33.68
37	69.40	63.50	55.42	49.86	50.30

RoHS compliant

Unit:mm

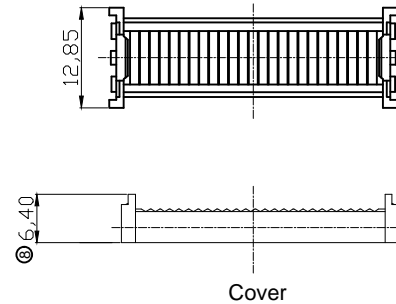
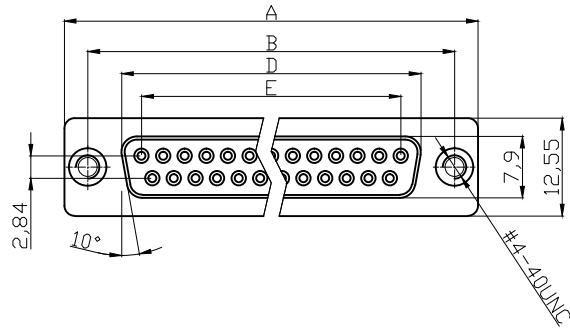


⑨ E198287

Scale	Free	③	Add UL logo	27.02.2020	Winnie	Date	Name	Customer-No.	
TOLERANCE		⑧	Update the dimesion	27.02.2015	Winnie	Drawn	15.08.2012	Lucas	
X.	±0.38	⑦	Change the operating temperature	19.11.2014	Winnie	Approved	27.02.2020	Winnie	
X.X	±0.25	⑥	Correct the UL-File number	03.04.2014	Winnie				
X.XX	±0.13	⑤	Update the 17.28mm into17.10mm	07.03.2014	Winnie				
DIM	TOL	④	Update the 17.58mm into17.40mm	04.03.2014	Winnie				
X.°	±3°								
X.X°	±1.0°								
Angle	TOL	Id.	Modification	Date	Name			Drawing-No. ASS 4892 CO	rev09
								Replace	Sheet 1/2



Female



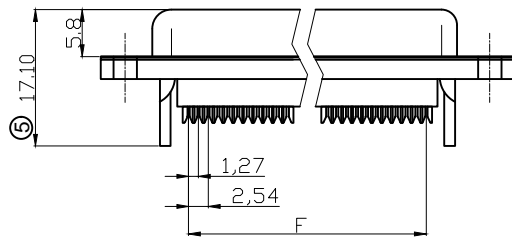
NOTES:

MATERIAL

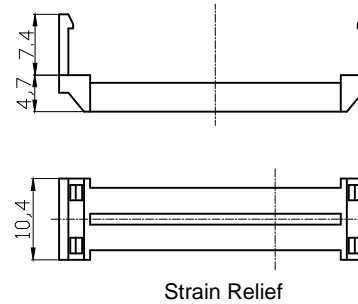
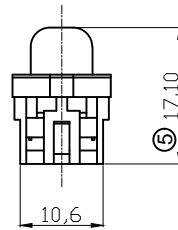
- 1. Insulator Material: Glass-Filled Thermoplastic PBT, UL 94V-0, Black
- 2. Contact Material : Copper alloy ,Gold flash selective gold
- 3. Shell :SPCC
- 4. Clinch Nut : Brass, Nickle Plated
- 5. Screwlock : Brass, Nickle Plated

ELECTRICAL

- 1. Current Rating : 3 AMP
- 2. Voltage Rating : 250 V AC/rms 60 Hz
- 3. Contact Resistance: 20mΩ max at 1 AMP DC
- 4. Insulation Resistance: 1000MΩ at 500 VDC
- 5. Withstand Voltage : 1000V AC/rms 60Hz for 1 minute
- ③ 6. Wire Spec : 26AWG~28 AWG
- ⑦ 7. Operating Temperature :-55°C+105°C
- ⑥ UL E No #E198287



With Insulator Support



Strain Relief

Dimensions

Positions	A	B	D	E	F
9	30.81	24.99	16.33	11.08	10.16
15	39.20	33.30	24.70	19.39	17.78
25	53.05	47.04	38.40	33.24	30.48
37	69.40	63.50	54.80	49.86	45.72

RoHS compliant

Unit:mm



⑨ E198287

Scale	Free	③	Add UL logo	27.02.2020	Winnie	Date	Name	Customer-No.
TOLERANCE		⑧	Update the dimesnion	27.02.2015	Winnie	Drawn	15.08.2012	Lucas
X.	±0.38	⑦	Change the operating temperature	19.11.2014	Winnie	Approved	27.02.2020	Winnie
X.X	±0.25	⑥	Correct the UL-File number	03.04.2014	Winnie			
X.XX	±0.13	⑤	Update the 17.28mm into 17.10mm	07.03.2014	Winnie			
DIM	TOL	④	Update the 17.58mm into 17.40mm	04.03.2014	Winnie			
X.°	±3°							
X.X°	±1.0°							
Angle	TOL	Id.	Modification	Date	Name			

ASSMANN WSW-No.		ASS 4892 CO	rev09
A-DxF xx LPIII/Z-UNC			
Drawing-No.		Replace	Sheet 2/2