

1

2

3

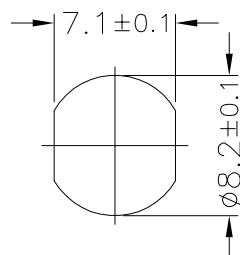
4

5

6

7

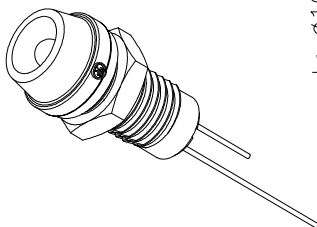
A



Recommended Panel Cut-Out

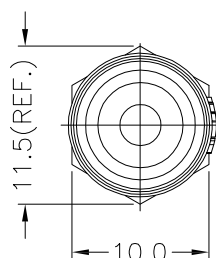
B

C

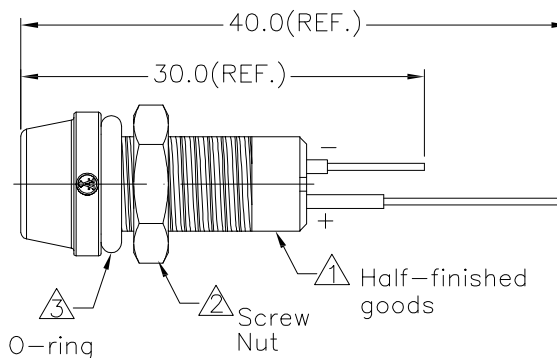
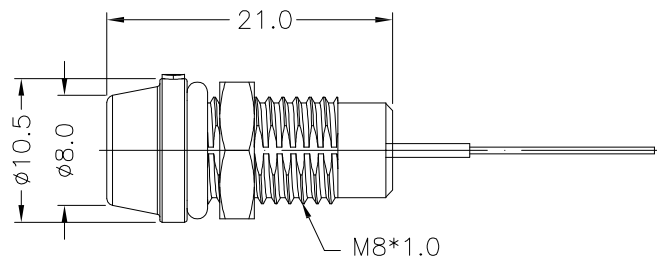


D

E



F



①

Notes:

Waterproof Rate: IP67

LED Holder: PC+ABS, Black

LED: Ø3mm, Yellow

O-ring: EPDM, Black

Screw Nut: Nylon + GF

Operating Temperature: -40°C ~ +80°C

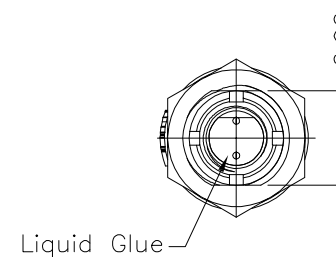
For Panel Thickness 6.5mm Max.

Forward Voltage: Yellow Typ. 2.0V/ Max. 2.4(V).

Forward Current: Yellow Max. 30mA.

Reverse Voltage: DC 5V

Luminous Intensity: Min. 770/ Typ. 1600(Mcd)



RoHS compliant

Unit: mm

Scale	Free						Date	Name	Customer-No.	
TOLERANCE						Drawn	11.03.2014	Winnie	ASSMANN WSW-No. A-LED8-1YAAS-PR7-1	
.X	±0.25					Approved	07.09.2018	Amy		
.XX	±0.1									
.XXX	±0.05									
DIM	TOL	①	Add forward bias current/voltage	07.09.2018	Segal				Drawing-No.	
		②	Drawn	11.03.2014	Winnie				ASS 6235 CO	rev01
Angle	±1°	Id.	Modification	Date	Name				Replace	Sheet

H

A

B

C

D

E

F

G

H

1

2

3

4

5

6

7